

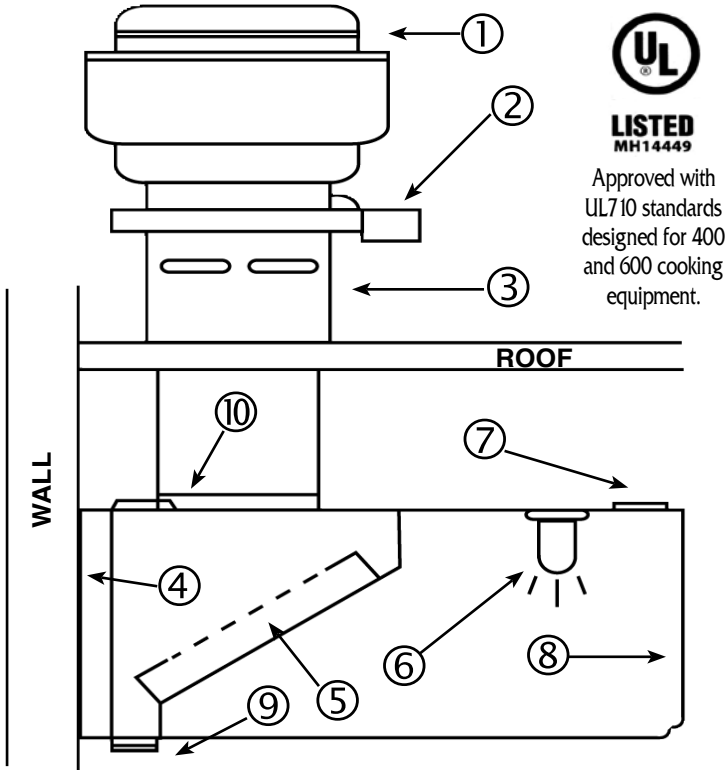


LAMBERTSON INDUSTRIES

HIGH-QUALITY STAINLESS STEEL

LAMBERTSON 18-GAUGE STAINLESS STEEL

U.L. LISTED BOX EXHAUST HOOD ORDER FORM



LISTED
MH14449

Approved with UL710 standards designed for 400 and 600 cooking equipment.

DATE	ZIP CODE
CUSTOMER	
ATTENTION	
FAX	
PHONE	—EXT:
EMAIL	
CUSTOMER PO #	
CUSTOMER SERVICE REP	
PAYMENT OPTIONS	<input type="checkbox"/> CREDIT CARD <input type="checkbox"/> ACCOUNT
CC #	
CC EXP. DATE	SEC#
APPROVED:	DATE

TYPES OF COOKING EQUIPMENT	
<input type="checkbox"/> LIGHT DUTY	OVEN - RANGE - KETTLE
<input type="checkbox"/> MEDIUM DUTY	FRYER - GRIDDLE
<input type="checkbox"/> HEAVY DUTY	CHARBROILER - ELECTRIC BROILER

Model # UL-BH-_____

QTY	NET PRICE	<input checked="" type="checkbox"/>	OPTIONS REQUIRED
	\$	<input type="checkbox"/>	1 — BELT DRIVE - UP-BLAST ROOF VENTILATOR. UL LISTED SPECIFICATION: LI-UB-
	\$	<input type="checkbox"/>	2 — GREASE COLLECTOR BOX: LI-CB-
	\$	<input type="checkbox"/>	3 — FIXED VENTILATION CURB: LI-FVC-
	\$	<input type="checkbox"/>	4 — 3" STAINLESS STEEL AIR SPACE
	INCLUDED	<input checked="" type="checkbox"/>	5 — 20" x 20" ALUMINUM FILTERS / UL LISTED
	\$	<input type="checkbox"/>	6 — GREASE PROOF LIGHTS. UL LISTED
	\$	<input type="checkbox"/>	7 — HOOD HANGER BRACKETS (SET OF 4)
	\$	<input checked="" type="checkbox"/>	8 — UL-BH- LENGTH WIDTH
	INCLUDED	<input checked="" type="checkbox"/>	9 — STAINLESS STEEL GREASE CUP
	\$	<input type="checkbox"/>	10 — 3" S/S DUCT COLLAR (WELDED IN POSITION) <input type="checkbox"/> VENTILATION

PURCHASE TOTAL \$	_____	+ FREIGHT \$	_____	GRAND TOTAL \$	_____
-------------------	-------	--------------	-------	----------------	-------

1335 ALEXANDRIA COURT
SPARKS, NV 89434

LAMBERTSON INDUSTRIES, INC.
PHONE 775 · 857 · 1100
TOLL-FREE 800 · 548 · 3324
FAX 775 · 857 · 3289

WWW.LAMBERTSON.COM
SALES@LAMBERTSON.COM



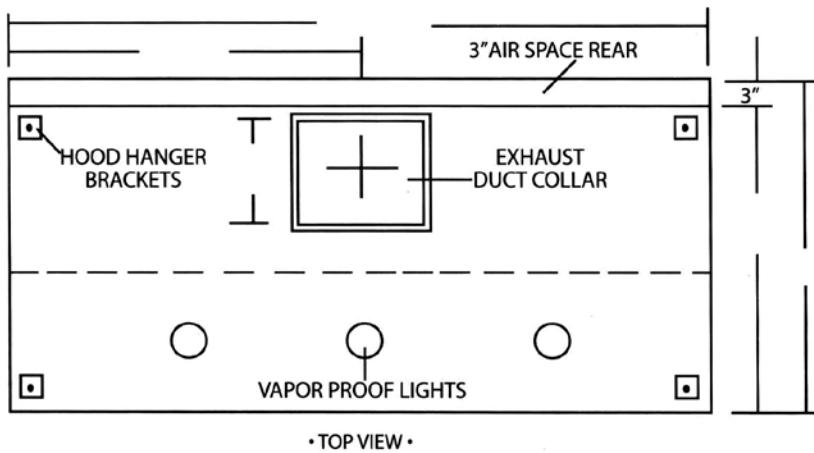
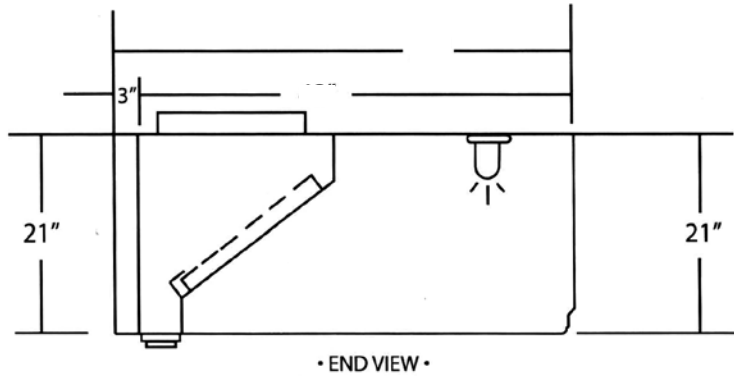


LAMBERTSON INDUSTRIES

HIGH-QUALITY STAINLESS STEEL



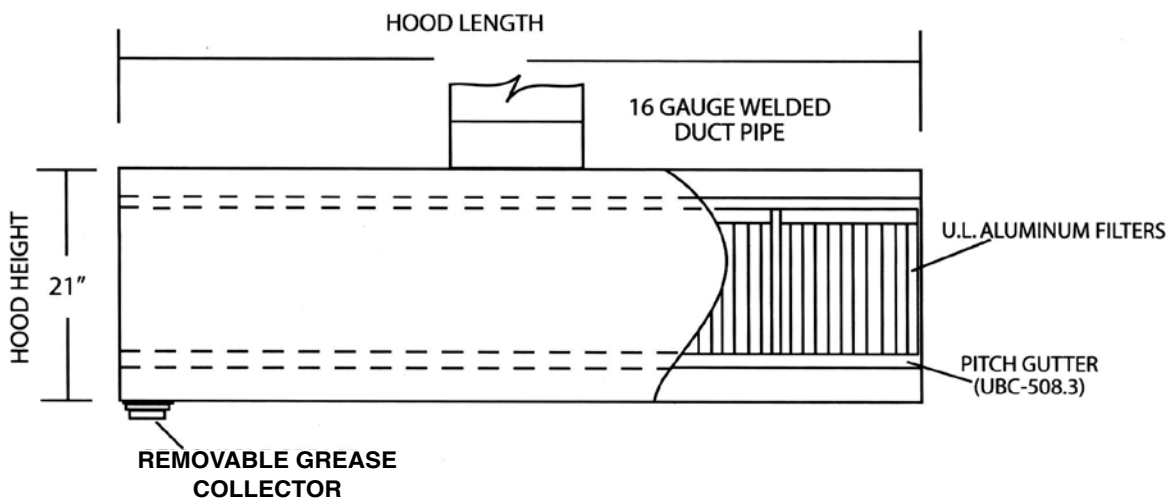
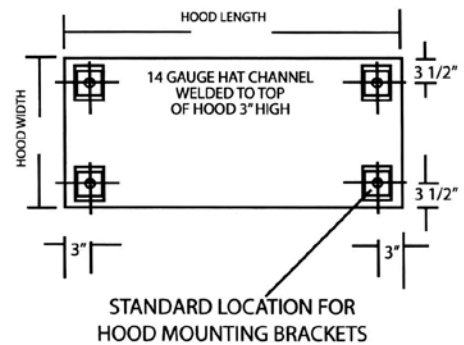
**LAMBERTSON STAINLESS STEEL HOODS ARE FULLY
U.L. LISTED AND MANUFACTURED TO U.L. 710 STANDARDS**



**48" - 60" U.L. LISTED
STAINLESS STEEL HOOD
MODEL # UL-BH-_____
18 GAUGE
(UBC-508.2**



Approved with UL710 Standards
Designed for 400' Cooking Equipment
Approved with UL710 Standards
Designed for 600' Cooking Equipment



LAMBERTSON STAINLESS STEEL PRODUCTS ARE CERTIFIED AND MEET STANDARD #2-DO21814

1335 ALEXANDRIA COURT
SPARKS, NV 89434

LAMBERTSON INDUSTRIES, INC.
PHONE 775 · 857 · 1100
TOLL-FREE 800 · 548 · 3324
FAX 775 · 857 · 3289

WWW.LAMBERTSON.COM
SALES@LAMBERTSON.COM



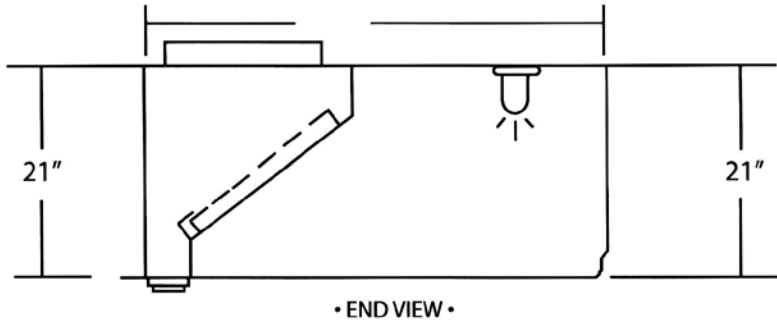


LAMBERTSON INDUSTRIES

HIGH-QUALITY STAINLESS STEEL



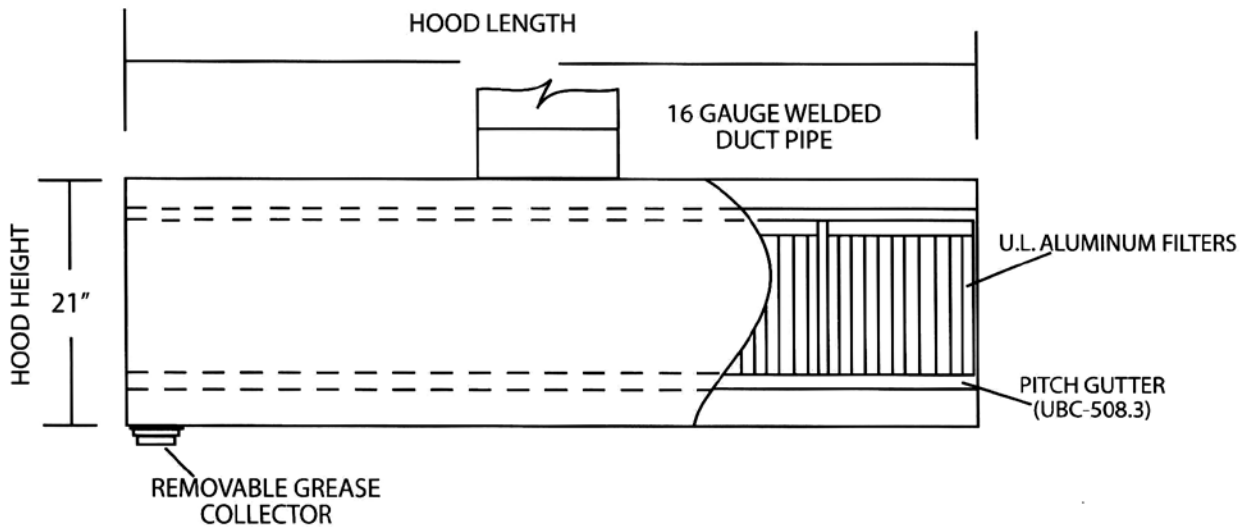
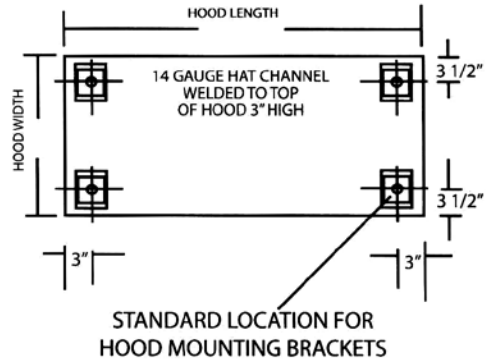
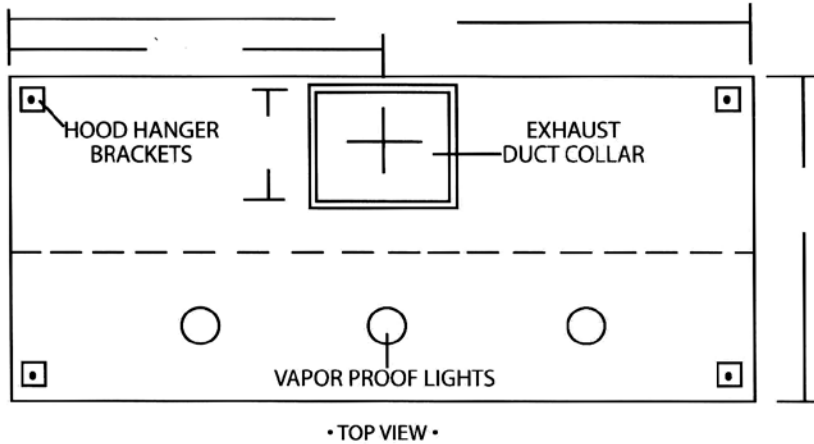
LAMBERTSON STAINLESS STEEL HOODS ARE FULLY
U.L. LISTED AND MANUFACTURED TO U.L. 710 STANDARDS



48" - 60" U.L. LISTED
STAINLESS STEEL HOOD
MODEL # UL-BH-_____
18 GAUGE
(UBC-508.2)



Approved with UL710 Standards
Designed for 400' Cooking Equipment
Approved with UL710 Standards
Designed for 600' Cooking Equipment



LAMBERTSON STAINLESS STEEL PRODUCTS ARE CERTIFIED AND MEET STANDARD #2-DO21814

1335 ALEXANDRIA COURT
SPARKS, NV 89434

LAMBERTSON INDUSTRIES, INC.
PHONE 775 · 857 · 1100
TOLL-FREE 800 · 548 · 3324
FAX 775 · 857 · 3289

WWW.LAMBERTSON.COM
SALES@LAMBERTSON.COM



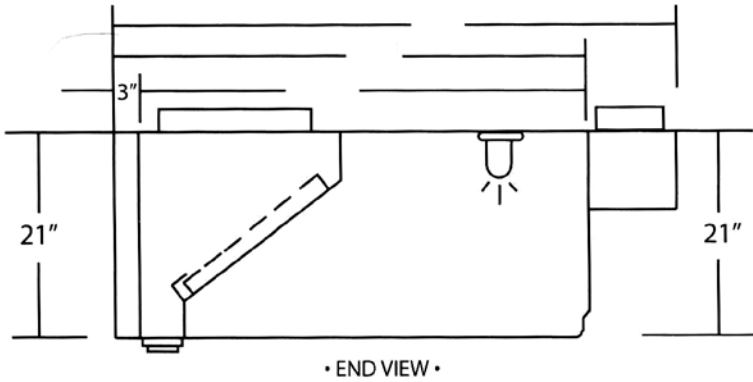


LAMBERTSON INDUSTRIES

HIGH-QUALITY STAINLESS STEEL



LAMBERTSON STAINLESS STEEL HOODS ARE FULLY
U.L. LISTED AND MANUFACTURED TO U.L. 710 STANDARDS

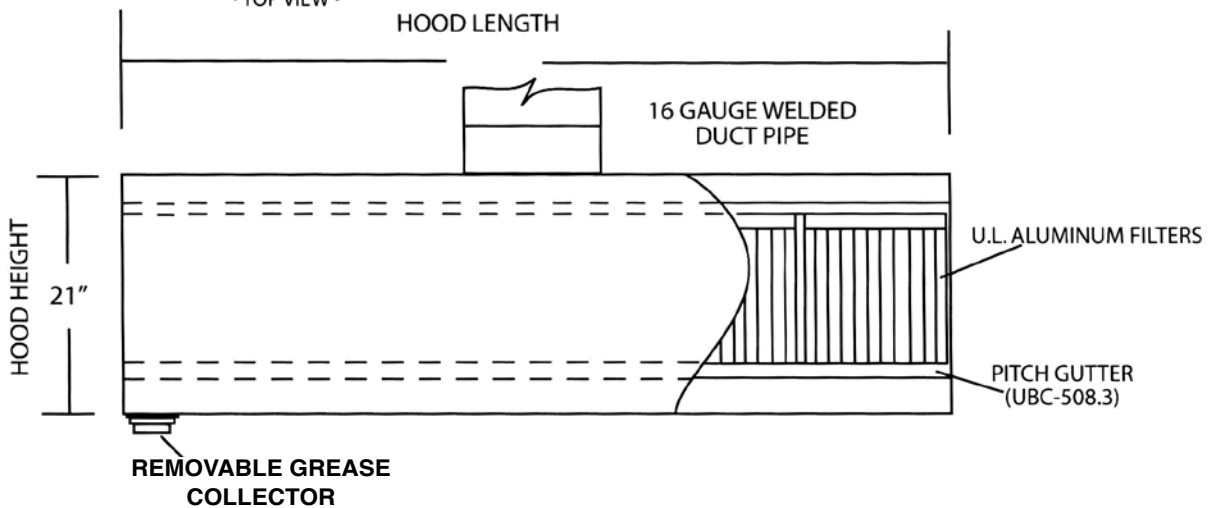
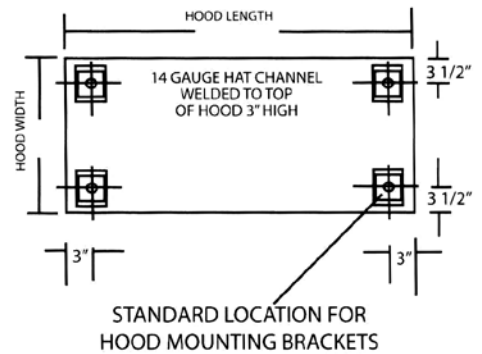
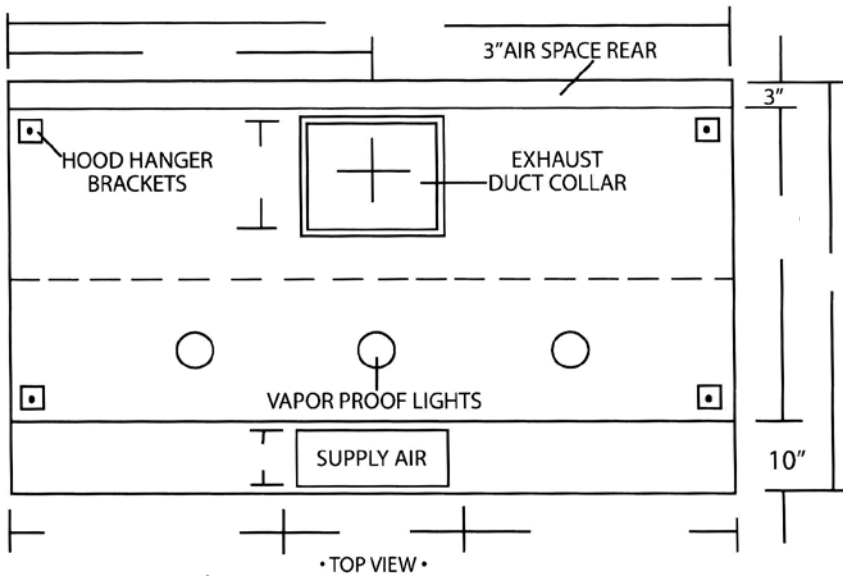


STAINLESS STEEL HOOD
WITH SINGLE SUPPLY AIR
48" - 60" U.L. LISTED

MODEL # UL-BH-_____
18 GAUGE
(UBC-508.2)



Approved with UL710 Standards
Designed for 400 Cooking Equipment
Approved with UL710 Standards
Designed for 600 Cooking Equipment



LAMBERTSON STAINLESS STEEL PRODUCTS ARE **NSF** CERTIFIED AND MEET STANDARD #2-DO21814

1335 ALEXANDRIA COURT
SPARKS, NV 89434

LAMBERTSON INDUSTRIES, INC.
PHONE 775 · 857 · 1100
TOLL-FREE 800 · 548 · 3324
FAX 775 · 857 · 3289
HOOD SCHEMATICS - 7

WWW.LAMBERTSON.COM
SALES@LAMBERTSON.COM



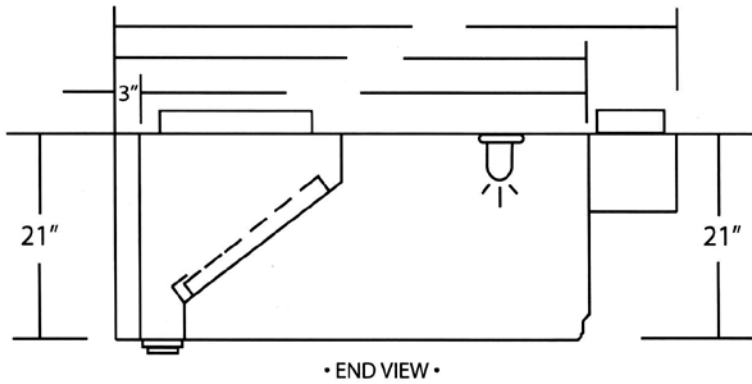


LAMBERTSON INDUSTRIES

HIGH-QUALITY STAINLESS STEEL



LAMBERTSON STAINLESS STEEL HOODS ARE FULLY
U.L. LISTED AND MANUFACTURED TO U.L. 710 STANDARDS

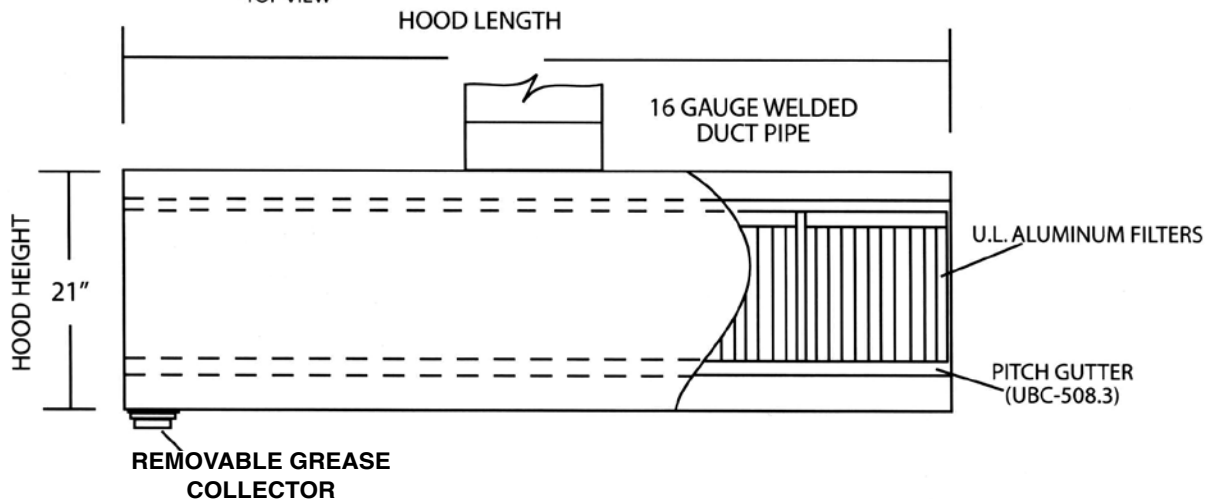
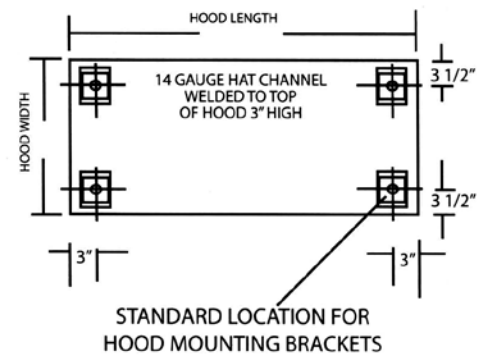
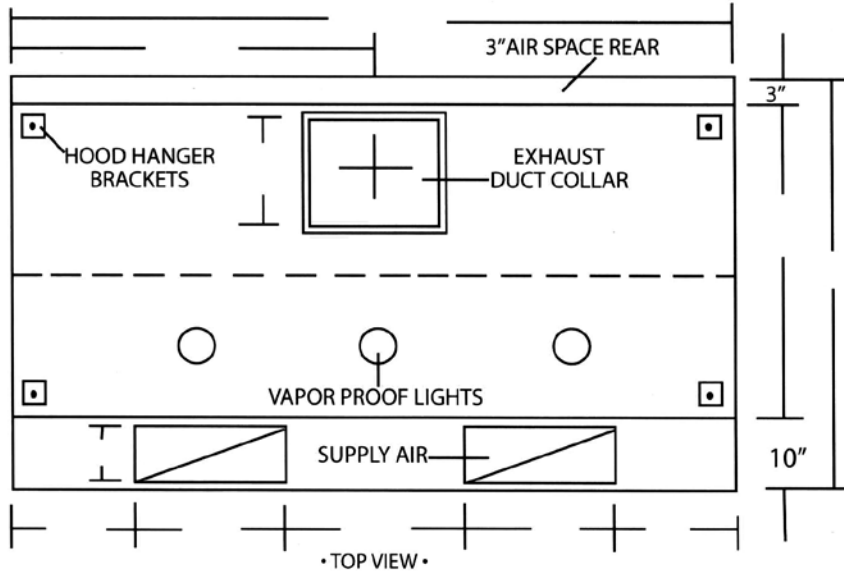


STAINLESS STEEL HOOD
WITH DUAL SUPPLY AIR
48" - 60" U.L. LISTED

MODEL # UL-BH-_____
18 GAUGE
(UBC-508.2)



Approved with UL710 Standards
Designed for 400' Cooking Equipment
Approved with UL710 Standards
Designed for 600' Cooking Equipment



LAMBERTSON STAINLESS STEEL PRODUCTS ARE **NSF** CERTIFIED AND MEET STANDARD #2-DO21814

1335 ALEXANDRIA COURT
SPARKS, NV 89434

LAMBERTSON INDUSTRIES, INC.
PHONE 775 · 857 · 1100
TOLL-FREE 800 · 548 · 3324
FAX 775 · 857 · 3289
HOOD SCHEMATICS - 8

WWW.LAMBERTSON.COM
SALES@LAMBERTSON.COM



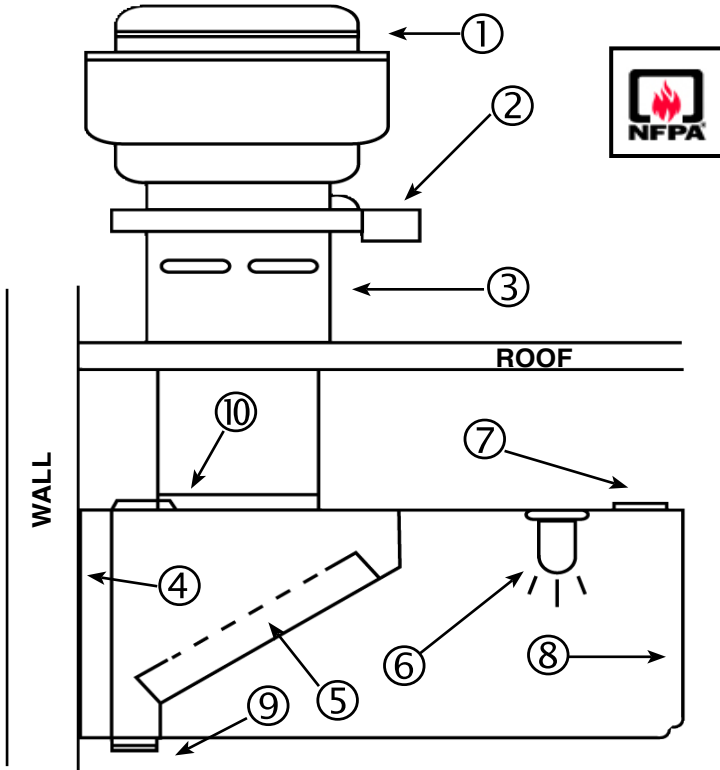


LAMBERTSON INDUSTRIES

HIGH-QUALITY STAINLESS STEEL

LAMBERTSON 18-GAUGE STAINLESS STEEL

NFPA BOX EXHAUST HOOD ORDER FORM



DATE	ZIP CODE
CUSTOMER	
ATTENTION	
FAX	
PHONE	-EXT:
EMAIL	
CUSTOMER PO #	
CUSTOMER SERVICE REP	
PAYMENT OPTIONS	<input type="checkbox"/> CREDIT CARD <input type="checkbox"/> ACCOUNT
CC #	
CC EXP. DATE	SEC#
APPROVED:	DATE

TYPES OF COOKING EQUIPMENT	
<input type="checkbox"/> LIGHT DUTY	OVEN - RANGE - KETTLE
<input type="checkbox"/> MEDIUM DUTY	FRYER - GRIDDLE
<input type="checkbox"/> HEAVY DUTY	CHARBROILER - ELECTRIC BROILER

Model # NFPA-BH- _____

QTY	NET PRICE	<input checked="" type="checkbox"/>	OPTIONS REQUIRED
	\$	<input type="checkbox"/>	1 - BELT DRIVE - UP-BLAST ROOF VENTILATOR. UL LISTED SPECIFICATION: LI-UB-
	\$	<input type="checkbox"/>	2 - GREASE COLLECTOR BOX: LI-CB-
	\$	<input type="checkbox"/>	3 - FIXED VENTILATION CURB: LI-FVC-
	\$	<input type="checkbox"/>	4 - 3" STAINLESS STEEL AIR SPACE
	INCLUDED	<input checked="" type="checkbox"/>	5 - 20" x 20" ALUMINUM FILTERS / UL LISTED
	\$	<input type="checkbox"/>	6 - GREASE PROOF LIGHTS. UL LISTED
	\$	<input type="checkbox"/>	7 - HOOD HANGER BRACKETS (SET OF 4)
	\$	<input checked="" type="checkbox"/>	8 - NFPA-BH- LENGTH WIDTH
	INCLUDED	<input checked="" type="checkbox"/>	9 - STAINLESS STEEL GREASE CUP
	\$	<input type="checkbox"/>	10 - 3" S/S DUCT COLLAR (WELDED IN POSITION) <input type="checkbox"/> VENTILATION

PURCHASE TOTAL \$		+ FREIGHT \$		GRAND TOTAL \$	
-------------------	--	--------------	--	----------------	--

1335 ALEXANDRIA COURT
SPARKS, NV 89434

LAMBERTSON INDUSTRIES, INC.
PHONE 775 · 857 · 1100
TOLL-FREE 800 · 548 · 3324
FAX 775 · 857 · 3289

WWW.LAMBERTSON.COM
SALES@LAMBERTSON.COM



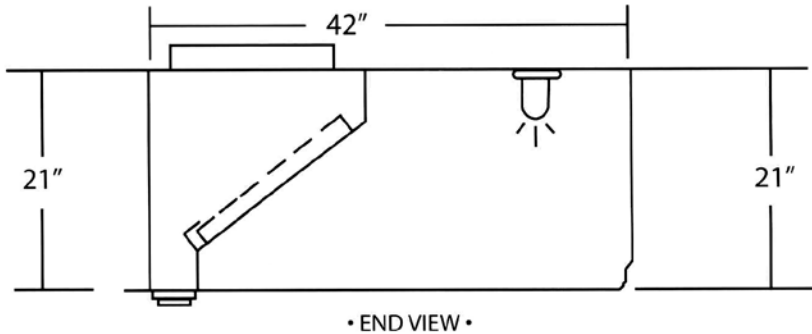


LAMBERTSON INDUSTRIES

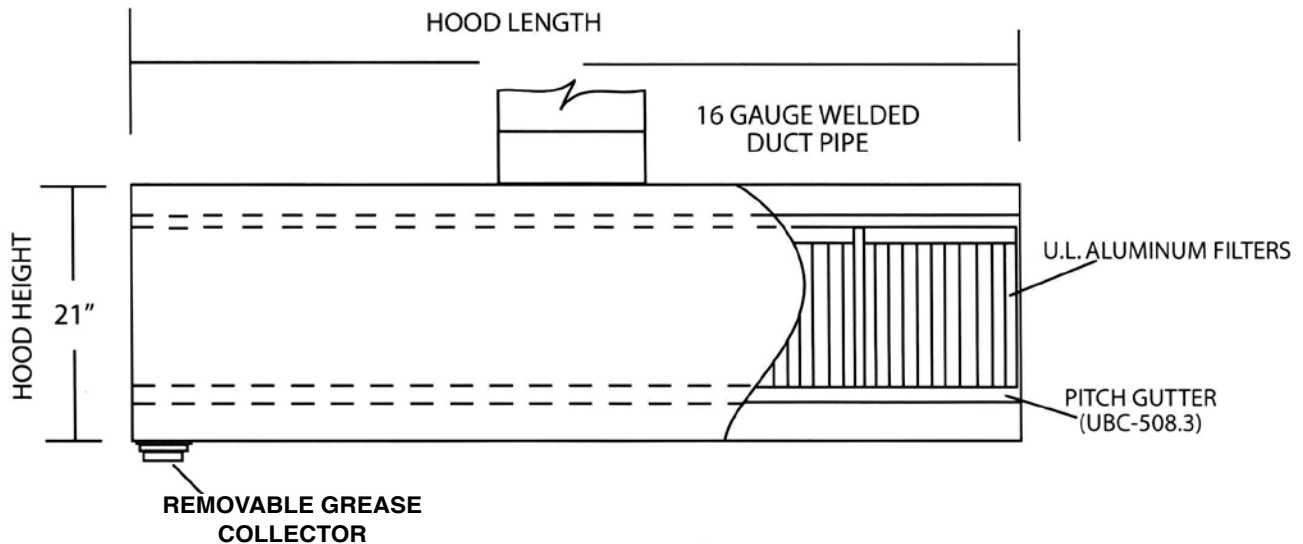
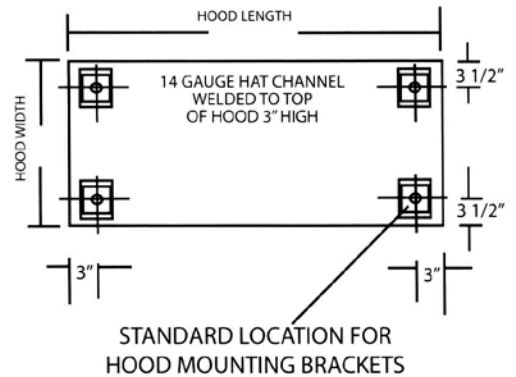
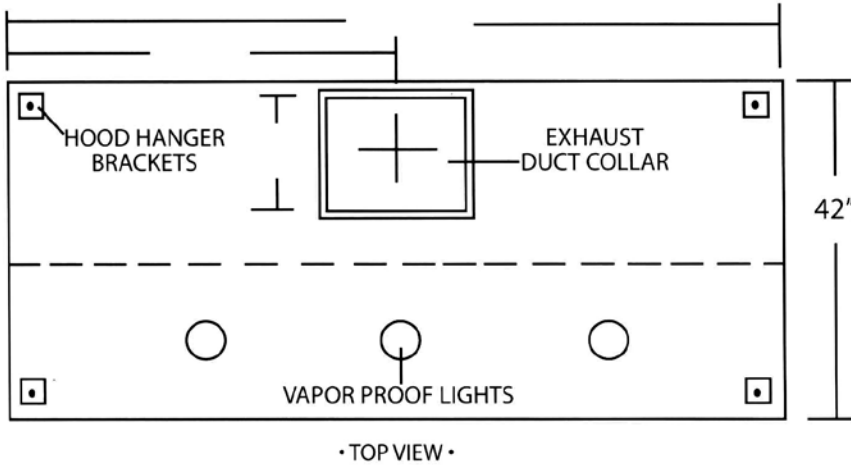
HIGH-QUALITY STAINLESS STEEL



LAMBERTSON STAINLESS STEEL HOODS



STAINLESS STEEL HOOD
MODEL # NFPA-BH-42 _____
18 GAUGE
(UBC-508.2)



LAMBERTSON STAINLESS STEEL PRODUCTS ARE **NSF** CERTIFIED AND MEET STANDARD #2-DO21814

1335 ALEXANDRIA COURT
 SPARKS, NV 89434

LAMBERTSON INDUSTRIES, INC.
 PHONE 775 · 857 · 1100
 TOLL-FREE 800 · 548 · 3324
 FAX 775 · 857 · 3289

WWW.LAMBERTSON.COM
 SALES@LAMBERTSON.COM



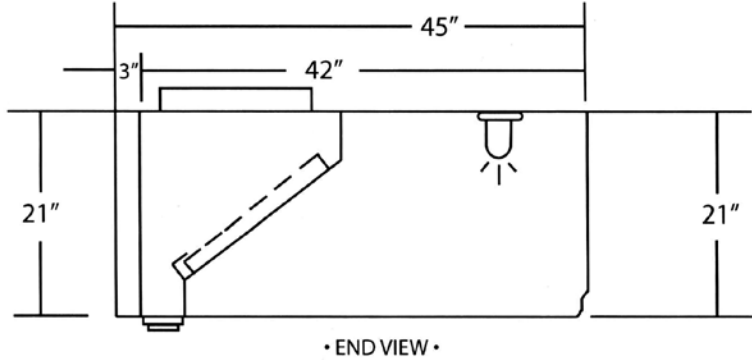


LAMBERTSON INDUSTRIES

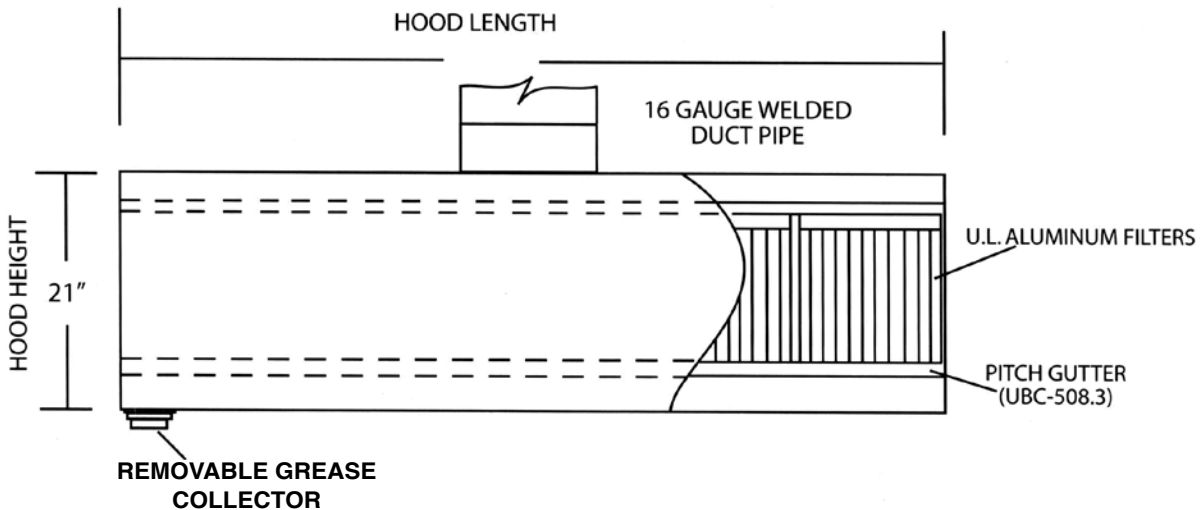
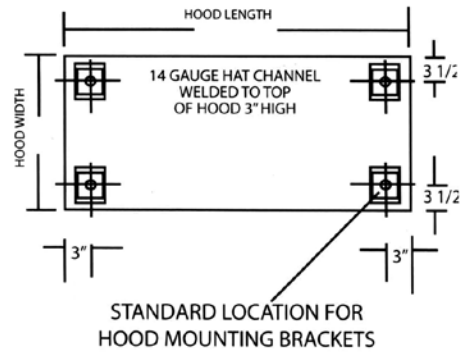
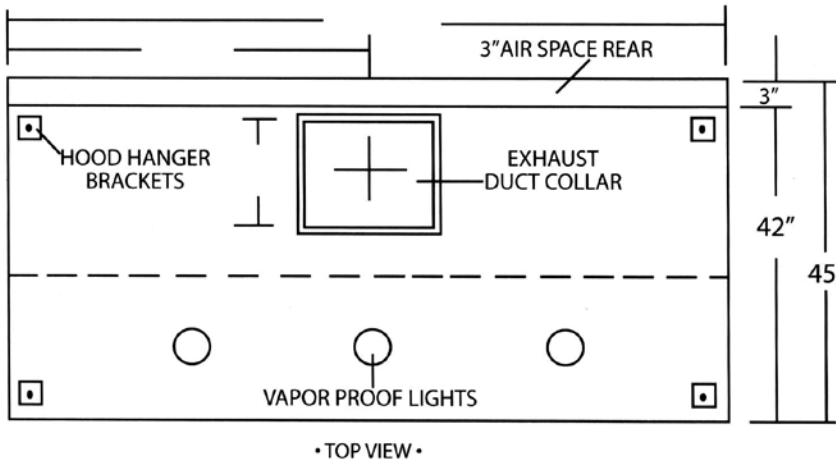
HIGH-QUALITY STAINLESS STEEL



LAMBERTSON STAINLESS STEEL HOODS



STAINLESS STEEL HOOD
MODEL # NFPA-BH-42 _____
18 GAUGE
(UBC-508.2)



LAMBERTSON STAINLESS STEEL PRODUCTS ARE **NSF** CERTIFIED AND MEET STANDARD #2-DO21814

1335 ALEXANDRIA COURT
 SPARKS, NV 89434

LAMBERTSON INDUSTRIES, INC.
 PHONE 775 · 857 · 1100
 TOLL-FREE 800 · 548 · 3324
 FAX 775 · 857 · 3289
 HOOD SCHEMATICS - 2

WWW.LAMBERTSON.COM
 SALES@LAMBERTSON.COM



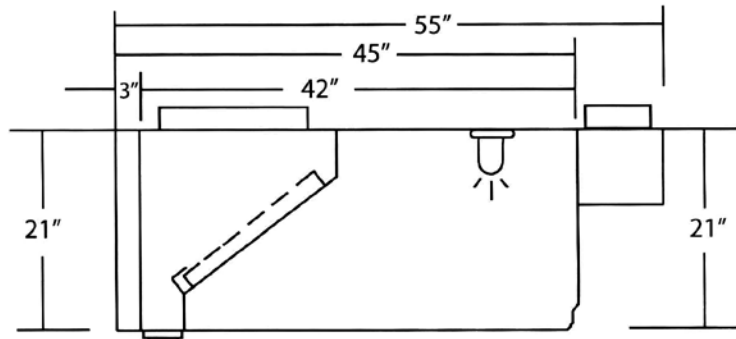


LAMBERTSON INDUSTRIES

HIGH-QUALITY STAINLESS STEEL



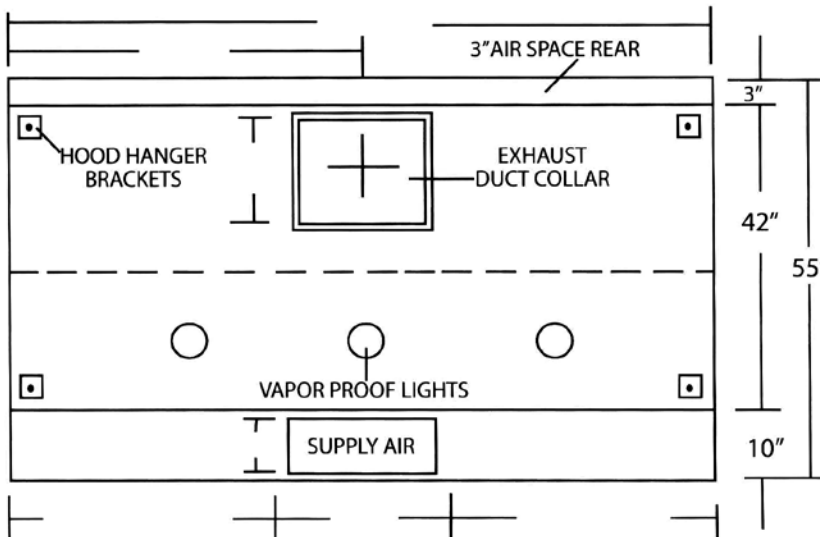
LAMBERTSON STAINLESS STEEL HOODS



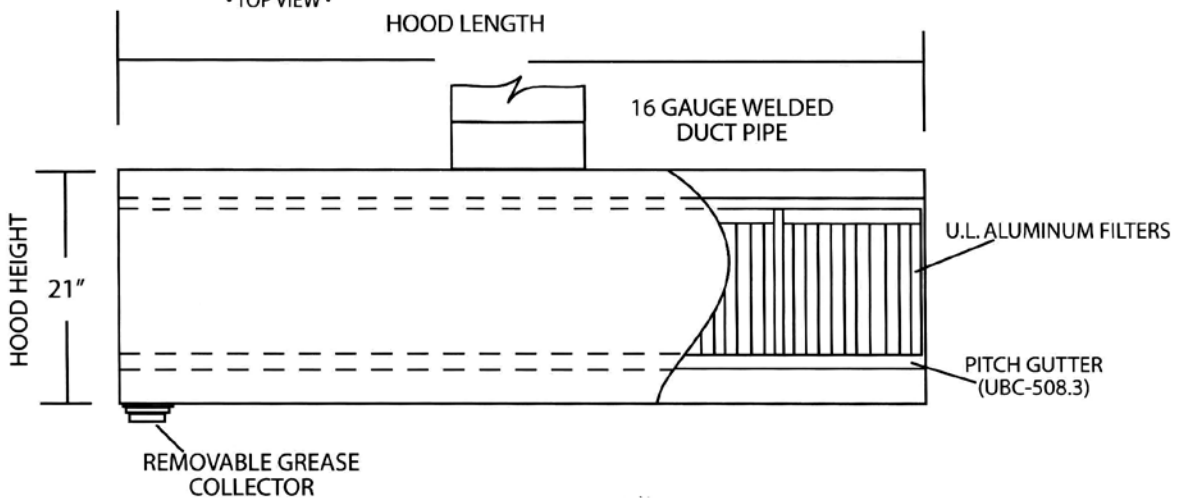
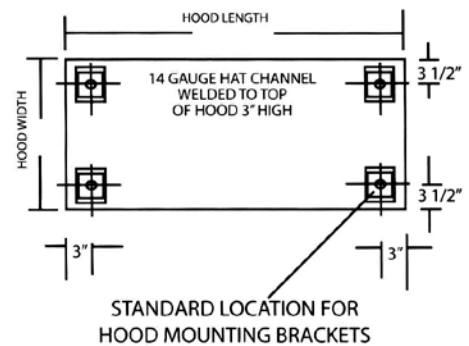
• END VIEW •

**STAINLESS STEEL HOOD
WITH SINGLE SUPPLY AIR**

**STAINLESS STEEL HOOD
MODEL # NFPA-BH-42
18 GAUGE
(UBC-508.2)**



• TOP VIEW •



LAMBERTSON STAINLESS STEEL PRODUCTS ARE  CERTIFIED AND MEET STANDARD #2-DO21814

1335 ALEXANDRIA COURT
SPARKS, NV 89434

LAMBERTSON INDUSTRIES, INC.
PHONE 775 · 857 · 1100
TOLL-FREE 800 · 548 · 3324
FAX 775 · 857 · 3289

WWW.LAMBERTSON.COM
SALES@LAMBERTSON.COM



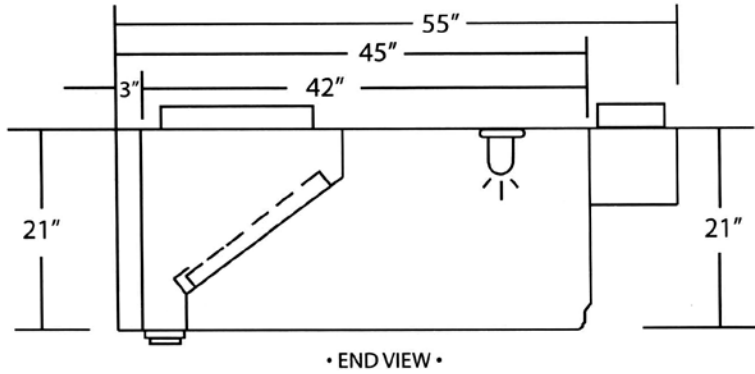


LAMBERTSON INDUSTRIES

HIGH-QUALITY STAINLESS STEEL

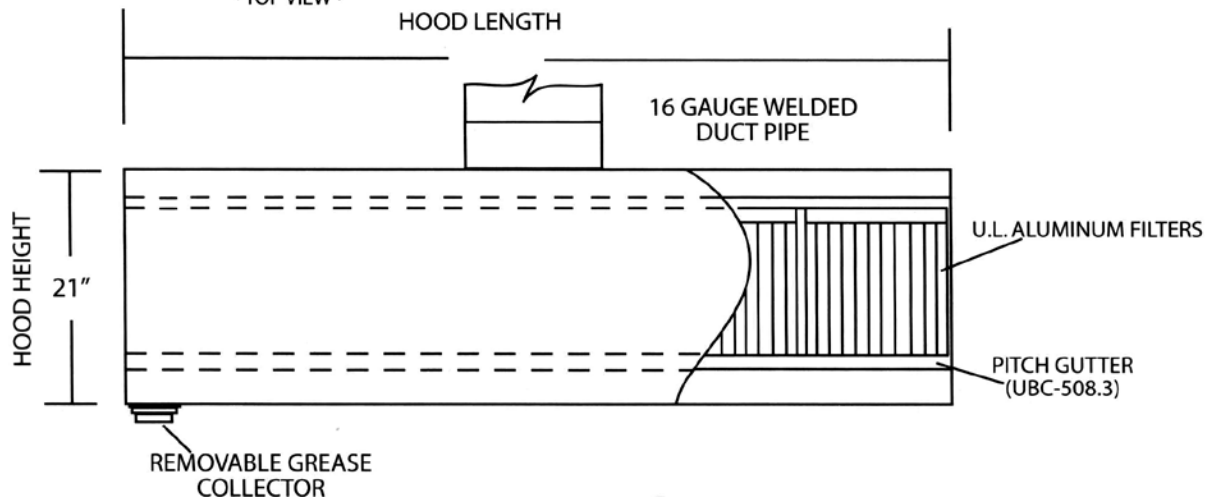
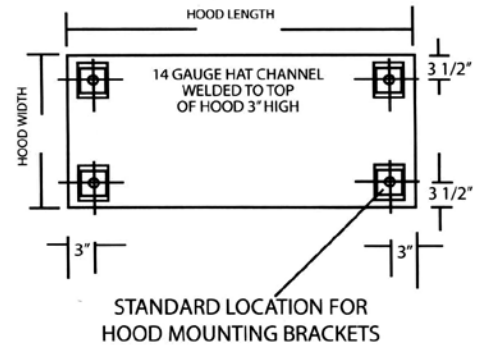
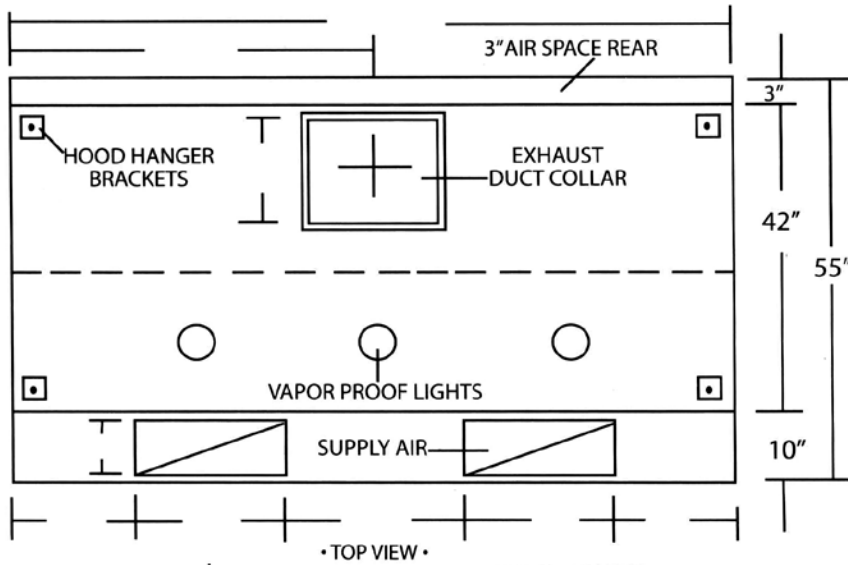


LAMBERTSON STAINLESS STEEL HOODS



STAINLESS STEEL HOOD
WITH DUAL SUPPLY AIR

STAINLESS STEEL HOOD
MODEL # NFPA-BH-42 _____
18 GAUGE
(UBC-508.2)



LAMBERTSON STAINLESS STEEL PRODUCTS ARE  CERTIFIED AND MEET STANDARD #2-DO21814

1335 ALEXANDRIA COURT
SPARKS, NV 89434

LAMBERTSON INDUSTRIES, INC.
PHONE 775 · 857 · 1100
TOLL-FREE 800 · 548 · 3324
FAX 775 · 857 · 3289

WWW.LAMBERTSON.COM
SALES@LAMBERTSON.COM

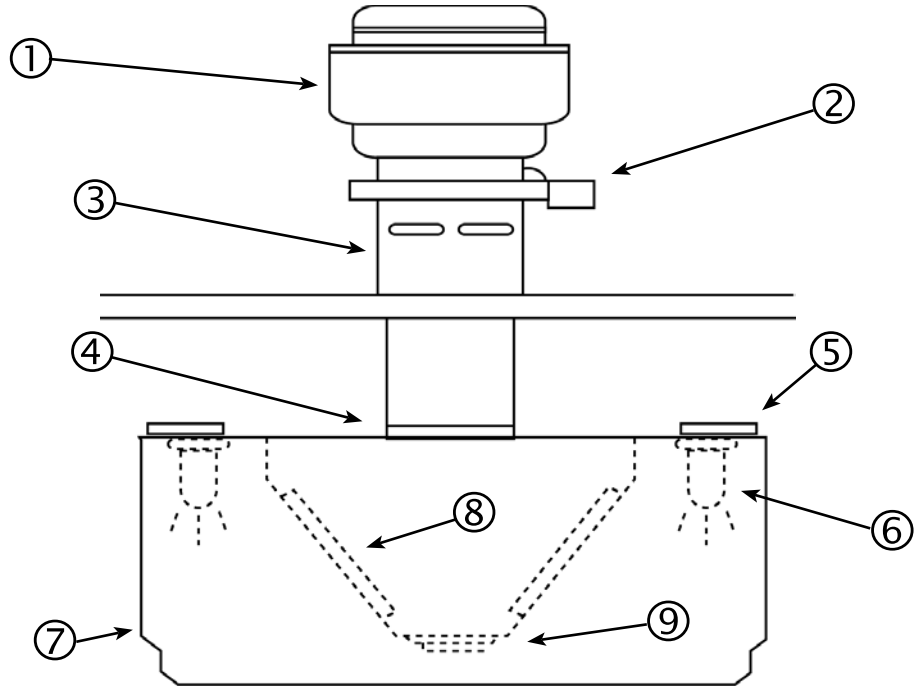




LAMBERTSON INDUSTRIES

HIGH-QUALITY STAINLESS STEEL

18-GAUGE STAINLESS STEEL V-BANK EXHAUST HOOD ORDER FORM



PAYMENT OPTIONS	<input type="checkbox"/> CREDIT CARD	<input type="checkbox"/> ACCOUNT
CC #		
CC EXP. DATE	SEC#	
APPROVED:	DATE	

DATE	ZIP CODE
CUSTOMER	
ATTENTION	
FAX	
PHONE	-EXT:
EMAIL	
CUSTOMER PO #	
CUSTOMER SERVICE REP	

Model # NFPA-VB-_____

QTY	NET PRICE	<input checked="" type="checkbox"/>	OPTIONS REQUIRED
	\$	<input type="checkbox"/>	1 - BELT DRIVE - UP-BLAST ROOF VENTILATOR. UL LISTED SPECIFICATION: LI-UB-
	\$	<input type="checkbox"/>	2 - GREASE COLLECTOR BOX: LI-CB-
	\$	<input type="checkbox"/>	3 - FIXED VENTILATION CURB: LI-FVC-
	\$	<input type="checkbox"/>	4 - 3" S/S DUCT COLLAR (WELDED IN POSITON)
	\$	<input type="checkbox"/>	5 - HOOD HANGER BRACKETS (SET OF 4)
	\$	<input type="checkbox"/>	6 - GREASE PROOF LIGHTS. UL LISTED
	\$	<input checked="" type="checkbox"/>	7 - NFPA-VB- LENGTH WIDTH
	INCLUDED	<input checked="" type="checkbox"/>	8 - 20" x 20" ALUMINUM FILTERS. UL LISTED
	INCLUDED	<input checked="" type="checkbox"/>	9 - STAINLESS STEEL GREASE CUP

PURCHASE TOTAL \$		+ FREIGHT \$		GRAND TOTAL \$	
-------------------	--	--------------	--	----------------	--

1335 ALEXANDRIA COURT
SPARKS, NV 89434

LAMBERTSON INDUSTRIES, INC.
PHONE 775 · 857 · 1100
TOLL-FREE 800 · 548 · 3324
FAX 775 · 857 · 3289

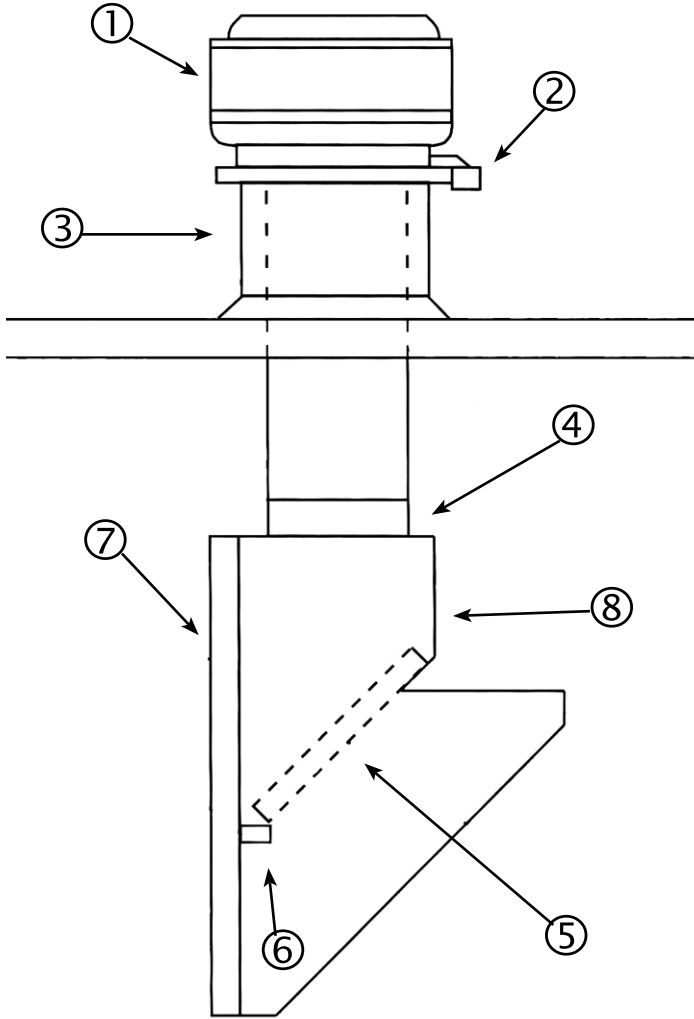
WWW.LAMBERTSON.COM
SALES@LAMBERTSON.COM





LAMBERTSON INDUSTRIES

HIGH-QUALITY STAINLESS STEEL



Model # NFPA-BSV-_____

18-GAUGE STAINLESS STEEL BACK SHELF VENTILATOR ORDER FORM

DATE	ZIP CODE
CUSTOMER	
ATTENTION	
FAX	
PHONE	- EXT:
EMAIL	
CUSTOMER PO #	
CUSTOMER SERVICE REP	

PAYMENT OPTIONS	<input type="checkbox"/> CREDIT CARD	<input type="checkbox"/> ACCOUNT
CC #		
CC EXP. DATE	SEC#	
APPROVED:	DATE	

TYPES OF COOKING EQUIPMENT

<input type="checkbox"/>	LIGHT DUTY	OVEN - RANGE - KETTLE
<input type="checkbox"/>	MEDIUM DUTY	FRYER - GRIDDLE
<input type="checkbox"/>	HEAVY DUTY	CHARBROILER - ELECTRIC BROILER
STATIC PRESSURE TYPICALLY RANGES FROM 635" TO 1" FOR 1 STORY BUILDINGS		

QTY	NET PRICE	<input checked="" type="checkbox"/>	OPTIONS REQUIRED
	\$	<input type="checkbox"/>	1 - BELT DRIVE - UP-BLAST ROOF VENTILATOR. UL LISTED SPECIFICATION: LI-UB-
	\$	<input type="checkbox"/>	2 - GREASE COLLECTOR BOX: LI-CB-
	\$	<input type="checkbox"/>	3 - FIXED VENTILATION CURB: LI-FVC-
	\$	<input type="checkbox"/>	4 - 3" S/S DUCT COLLAR (WELDED IN POSITON)
	INCLUDED	<input checked="" type="checkbox"/>	5 - 12" x 20" ALUMINUM FILTERS. UL LISTED
	INCLUDED	<input checked="" type="checkbox"/>	6 - STAINLESS STEELGREASE CUP
	\$	<input type="checkbox"/>	7 - 3" STAINLESS STEEL AIR SPACE
	\$	<input checked="" type="checkbox"/>	8 - NFPA-BSV- LENGTH WIDTH

PURCHASE TOTAL \$		+ FREIGHT \$		GRAND TOTAL \$	
-------------------	--	--------------	--	----------------	--

1335 ALEXANDRIA COURT
SPARKS, NV 89434

LAMBERTSON INDUSTRIES, INC.
PHONE 775 · 857 · 1100
TOLL-FREE 800 · 548 · 3324
FAX 775 · 857 · 3289

WWW.LAMBERTSON.COM
SALES@LAMBERTSON.COM

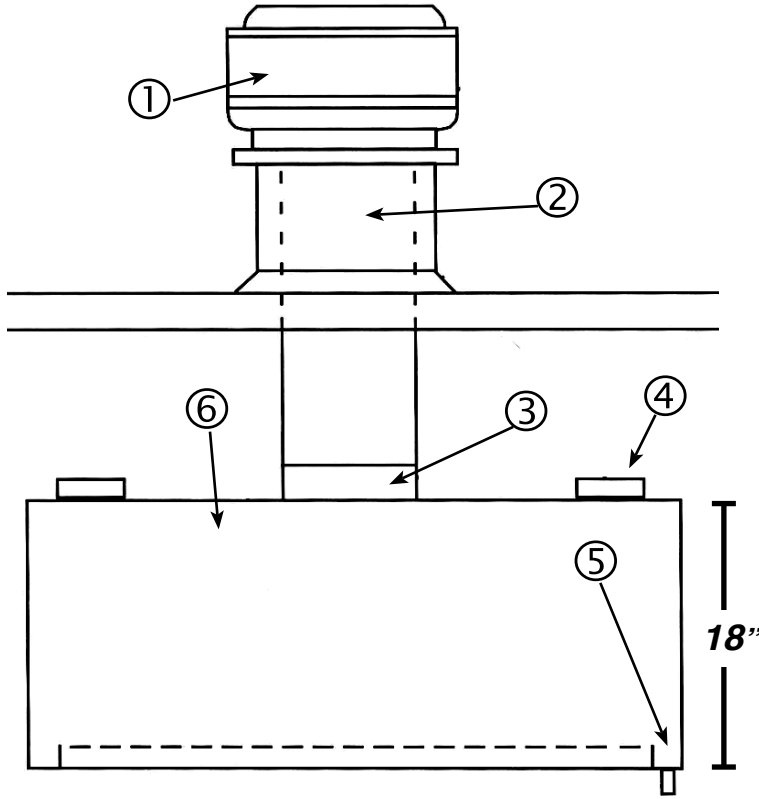




LAMBERTSON INDUSTRIES

HIGH-QUALITY STAINLESS STEEL

18-GAUGE STAINLESS STEEL CLASS II VAPOR HOOD ORDER FORM



DATE	ZIP CODE
CUSTOMER	
ATTENTION	
FAX	
PHONE	-EXT:
EMAIL	
CUSTOMER PO #	
CUSTOMER SERVICE REP	

PAYMENT OPTIONS	<input type="checkbox"/> CREDIT CARD	<input type="checkbox"/> ACCOUNT
CC #		
CC EXP. DATE	SEC#	
APPROVED:	DATE	

Model # HWM-VH - _____

QTY	NET PRICE	<input checked="" type="checkbox"/>	OPTIONS REQUIRED
	\$	<input type="checkbox"/>	1 - BELT DRIVE - UP-BLAST ROOF VENTILATOR. UL LISTED SPECIFICATION: LI-UB-
	\$	<input type="checkbox"/>	2 - FIXED VENTILATION CURB: LI-FVC-
	\$	<input type="checkbox"/>	3 - 3" S/S DUCT COLLAR (WELDED IN POSITON)
	\$	<input type="checkbox"/>	4 - HOOD HANGER BRACKETS (SET OF 4)
	INCLUDED	<input checked="" type="checkbox"/>	5 - VAPOR DRIP
	\$	<input checked="" type="checkbox"/>	6 - HWM-VH- LENGTH WIDTH
	\$	<input type="checkbox"/>	7 - GREASE PROOF LIGHTS - UL LISTED

PURCHASE TOTAL \$		+ FREIGHT \$		GRAND TOTAL \$	
--------------------------	--	---------------------	--	-----------------------	--

1335 ALEXANDRIA COURT
SPARKS, NV 89434

LAMBERTSON INDUSTRIES, INC.
PHONE 775 · 857 · 1100
TOLL-FREE 800 · 548 · 3324
FAX 775 · 857 · 3289

WWW.LAMBERTSON.COM
SALES@LAMBERTSON.COM

