

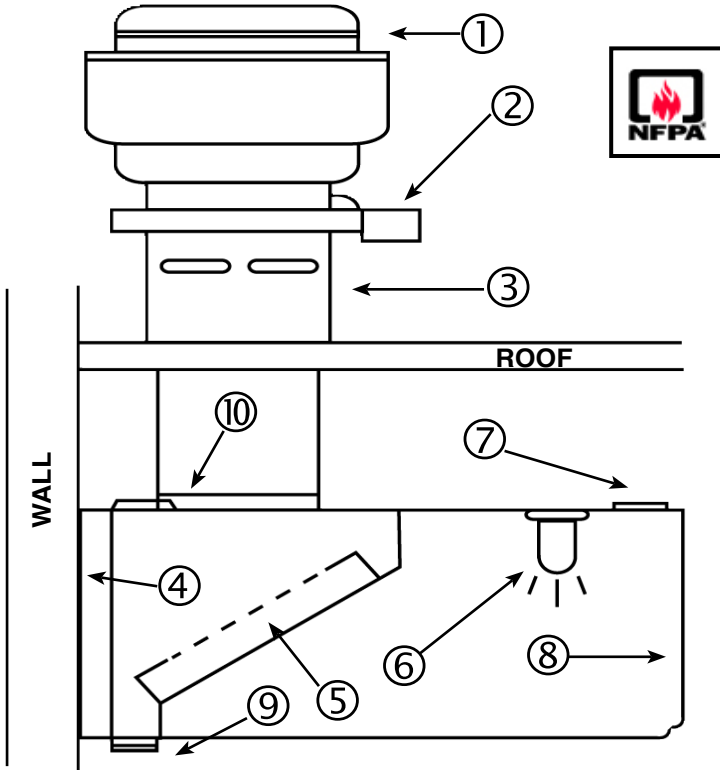


LAMBERTSON INDUSTRIES

HIGH-QUALITY STAINLESS STEEL

LAMBERTSON 18-GAUGE STAINLESS STEEL

NFPA BOX EXHAUST HOOD ORDER FORM



DATE	ZIP CODE
CUSTOMER	
ATTENTION	
FAX	
PHONE	-EXT:
EMAIL	
CUSTOMER PO #	
CUSTOMER SERVICE REP	
PAYMENT OPTIONS	<input type="checkbox"/> CREDIT CARD <input type="checkbox"/> ACCOUNT
CC #	
CC EXP. DATE	SEC#
APPROVED:	DATE

TYPES OF COOKING EQUIPMENT	
<input type="checkbox"/> LIGHT DUTY	OVEN - RANGE - KETTLE
<input type="checkbox"/> MEDIUM DUTY	FRYER - GRIDDLE
<input type="checkbox"/> HEAVY DUTY	CHARBROILER - ELECTRIC BROILER

Model # NFPA-BH- _____

QTY	NET PRICE	<input checked="" type="checkbox"/>	OPTIONS REQUIRED
	\$	<input type="checkbox"/>	1 - BELT DRIVE - UP-BLAST ROOF VENTILATOR. UL LISTED SPECIFICATION: LI-UB-
	\$	<input type="checkbox"/>	2 - GREASE COLLECTOR BOX: LI-CB-
	\$	<input type="checkbox"/>	3 - FIXED VENTILATION CURB: LI-FVC-
	\$	<input type="checkbox"/>	4 - 3" STAINLESS STEEL AIR SPACE
	INCLUDED	<input checked="" type="checkbox"/>	5 - 20" x 20" ALUMINUM FILTERS / UL LISTED
	\$	<input type="checkbox"/>	6 - GREASE PROOF LIGHTS. UL LISTED
	\$	<input type="checkbox"/>	7 - HOOD HANGER BRACKETS (SET OF 4)
	\$	<input checked="" type="checkbox"/>	8 - NFPA-BH- LENGTH WIDTH
	INCLUDED	<input checked="" type="checkbox"/>	9 - STAINLESS STEEL GREASE CUP
	\$	<input type="checkbox"/>	10 - 3" S/S DUCT COLLAR (WELDED IN POSITION) <input type="checkbox"/> VENTILATION

PURCHASE TOTAL \$		+ FREIGHT \$		GRAND TOTAL \$	
-------------------	--	--------------	--	----------------	--

1335 ALEXANDRIA COURT
SPARKS, NV 89434

LAMBERTSON INDUSTRIES, INC.
PHONE 775 · 857 · 1100
TOLL-FREE 800 · 548 · 3324
FAX 775 · 857 · 3289

WWW.LAMBERTSON.COM
SALES@LAMBERTSON.COM



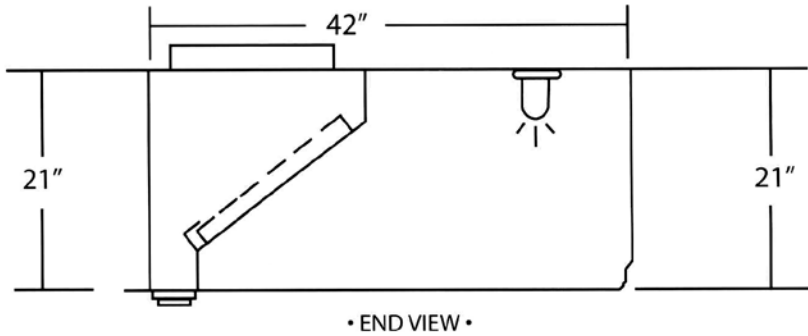


LAMBERTSON INDUSTRIES

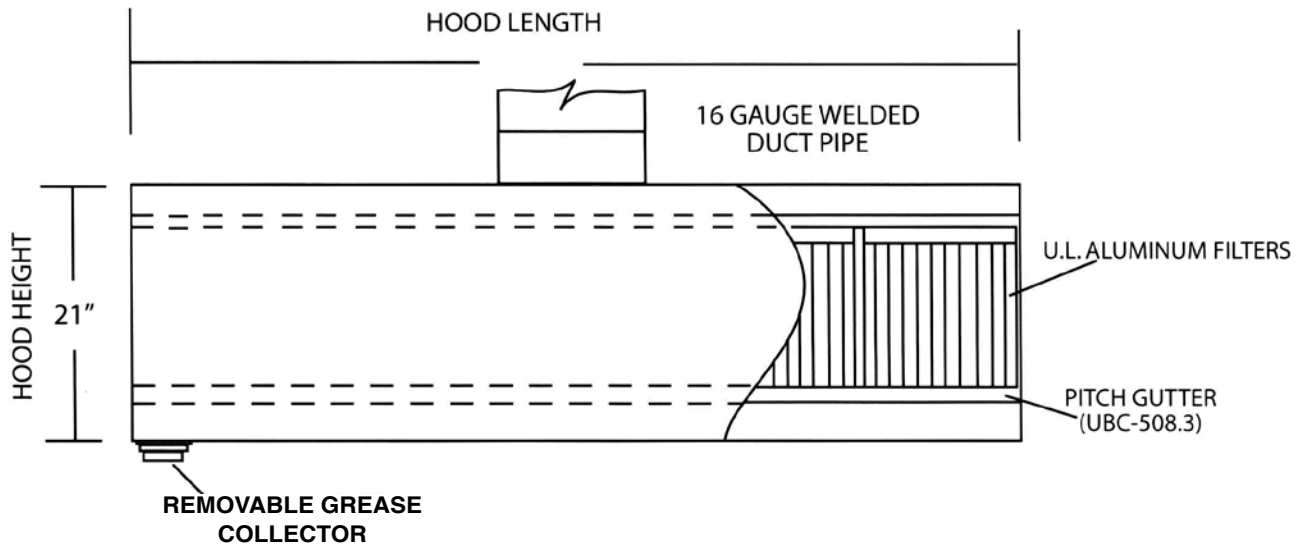
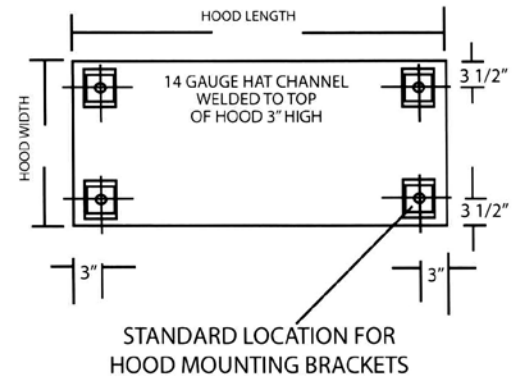
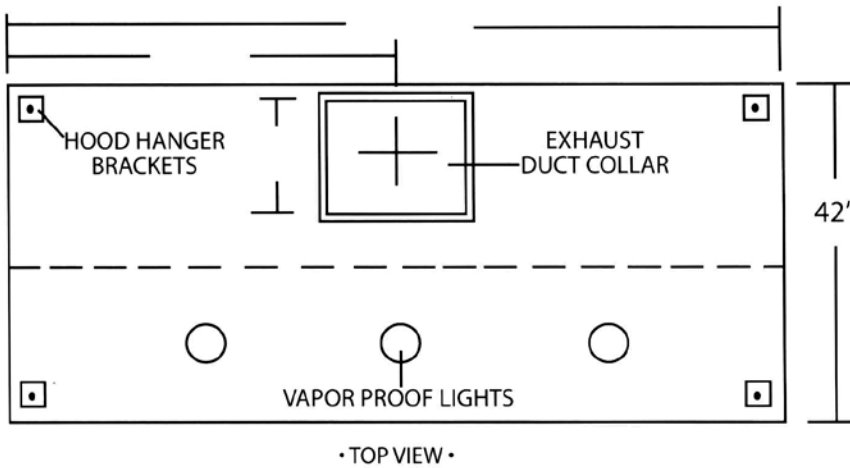
HIGH-QUALITY STAINLESS STEEL



LAMBERTSON STAINLESS STEEL HOODS



STAINLESS STEEL HOOD
MODEL # NFPA-BH-42 _____
18 GAUGE
(UBC-508.2)



LAMBERTSON STAINLESS STEEL PRODUCTS ARE **NSF** CERTIFIED AND MEET STANDARD #2-DO21814

1335 ALEXANDRIA COURT
 SPARKS, NV 89434

LAMBERTSON INDUSTRIES, INC.
 PHONE 775 · 857 · 1100
 TOLL-FREE 800 · 548 · 3324
 FAX 775 · 857 · 3289

WWW.LAMBERTSON.COM
 SALES@LAMBERTSON.COM



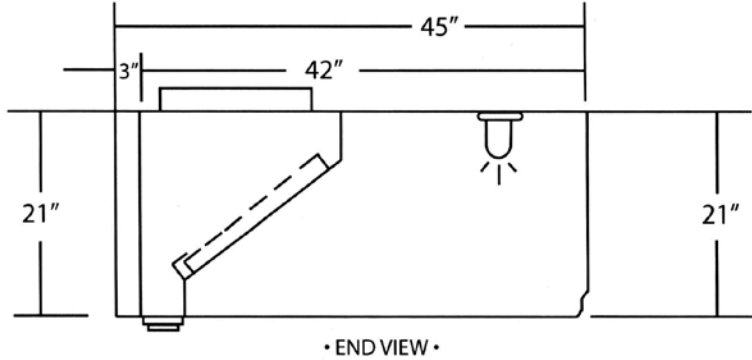


LAMBERTSON INDUSTRIES

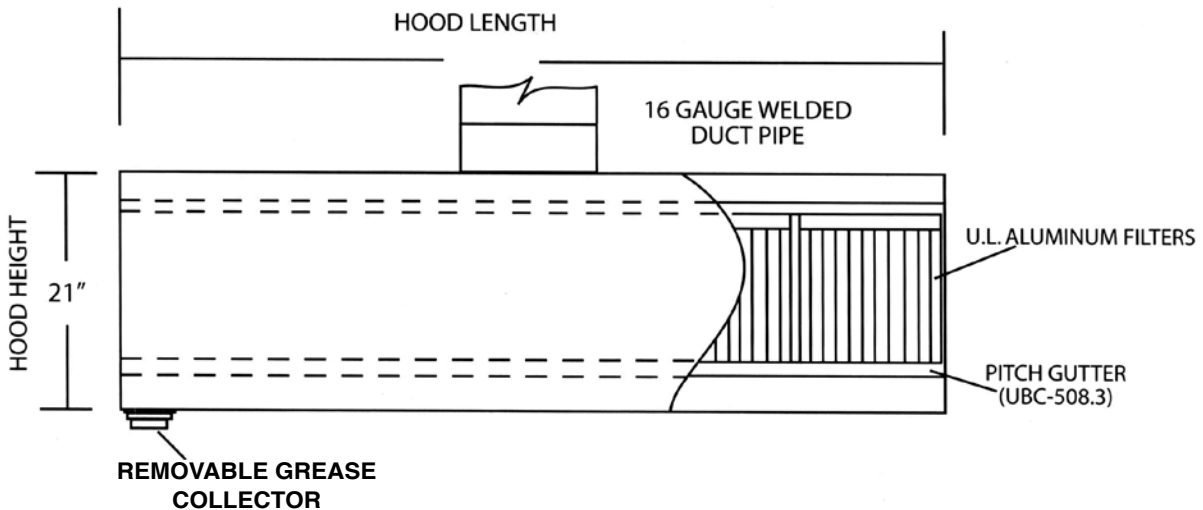
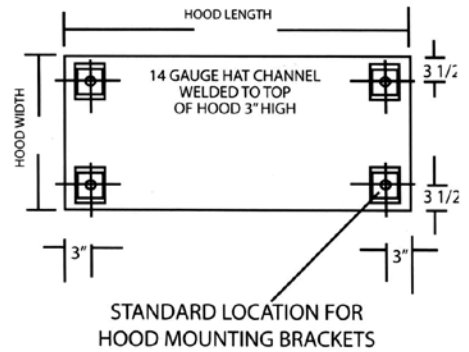
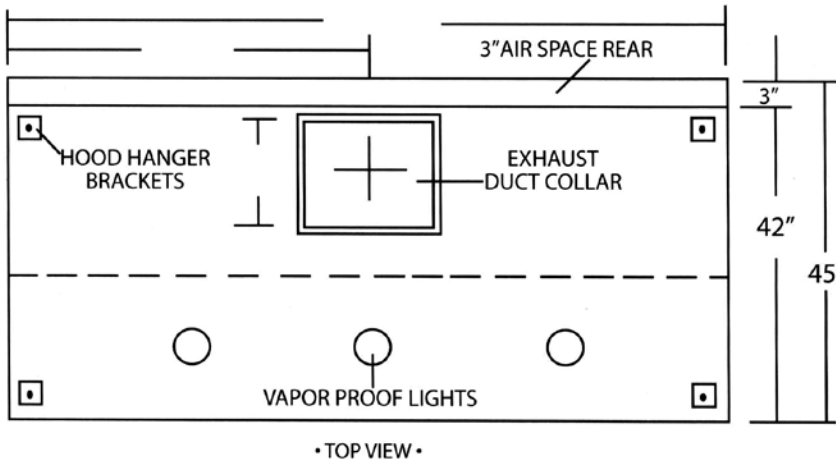
HIGH-QUALITY STAINLESS STEEL



LAMBERTSON STAINLESS STEEL HOODS



STAINLESS STEEL HOOD
MODEL # NFPA-BH-42 _____
18 GAUGE
(UBC-508.2)



LAMBERTSON STAINLESS STEEL PRODUCTS ARE CERTIFIED AND MEET STANDARD #2-DO21814

1335 ALEXANDRIA COURT
 SPARKS, NV 89434

LAMBERTSON INDUSTRIES, INC.
 PHONE 775 · 857 · 1100
 TOLL-FREE 800 · 548 · 3324
 FAX 775 · 857 · 3289

WWW.LAMBERTSON.COM
 SALES@LAMBERTSON.COM

