

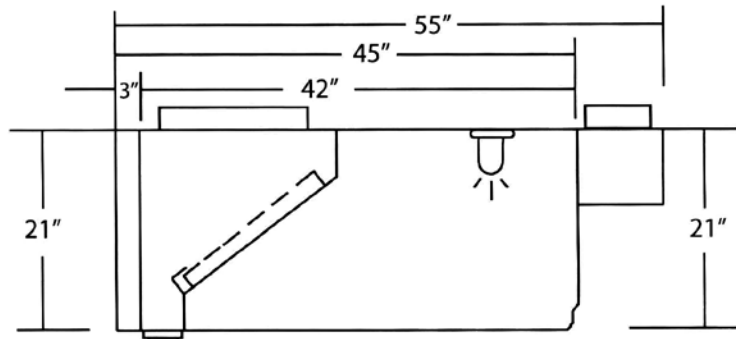


LAMBERTSON INDUSTRIES

HIGH-QUALITY STAINLESS STEEL



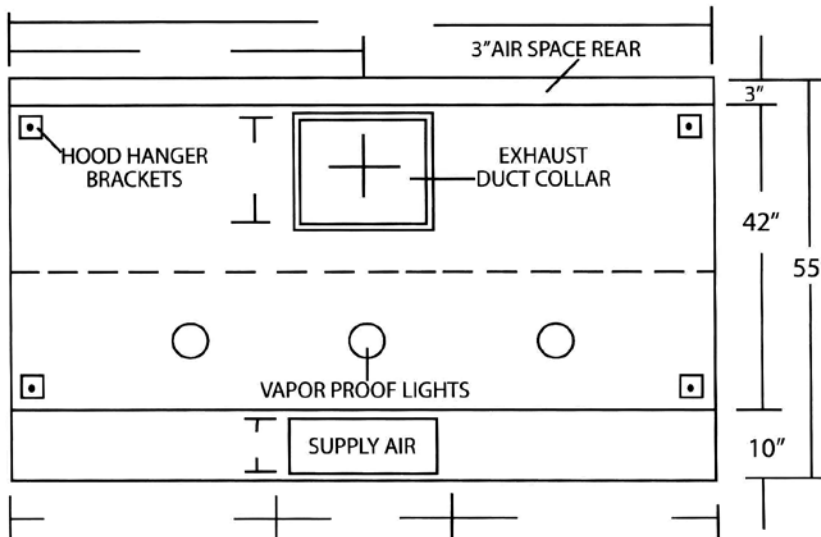
LAMBERTSON STAINLESS STEEL HOODS



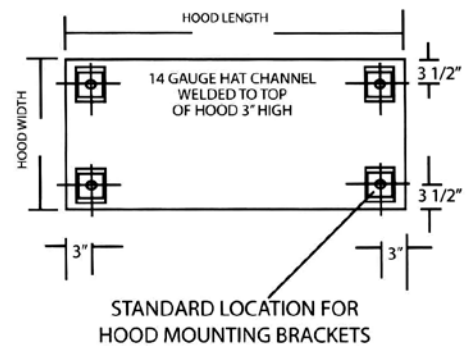
• END VIEW •

STAINLESS STEEL HOOD WITH SINGLE SUPPLY AIR

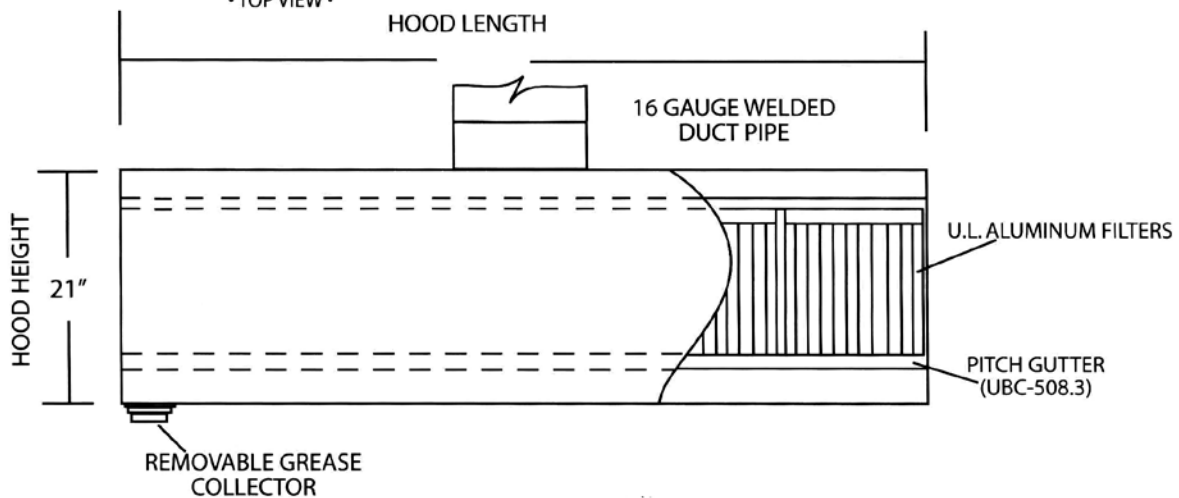
**STAINLESS STEEL HOOD
MODEL # NFPA-BH-42
18 GAUGE
(UBC-508.2)**



• TOP VIEW •



STANDARD LOCATION FOR HOOD MOUNTING BRACKETS



LAMBERTSON STAINLESS STEEL PRODUCTS ARE **NSF** CERTIFIED AND MEET STANDARD #2-DO21814

1335 ALEXANDRIA COURT
SPARKS, NV 89434

LAMBERTSON INDUSTRIES, INC.
PHONE 775 · 857 · 1100
TOLL-FREE 800 · 548 · 3324
FAX 775 · 857 · 3289

WWW.LAMBERTSON.COM
SALES@LAMBERTSON.COM



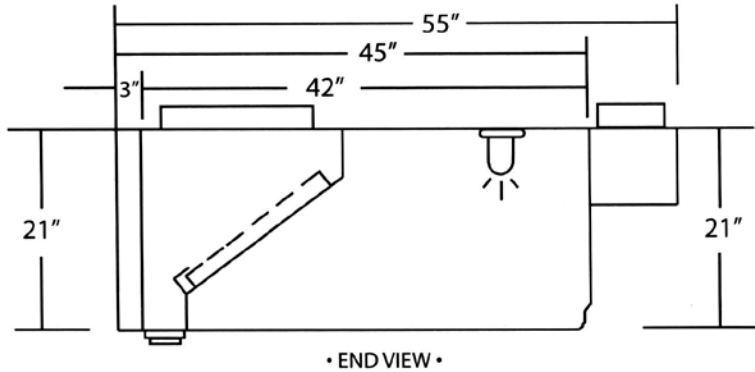


LAMBERTSON INDUSTRIES

HIGH-QUALITY STAINLESS STEEL

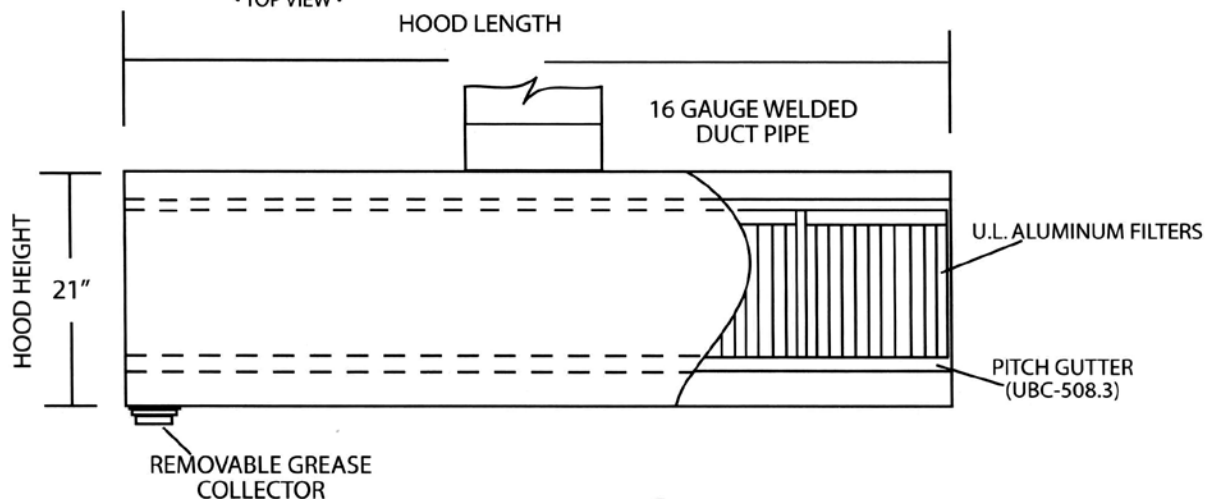
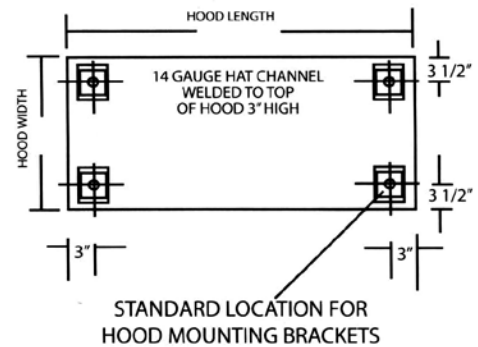
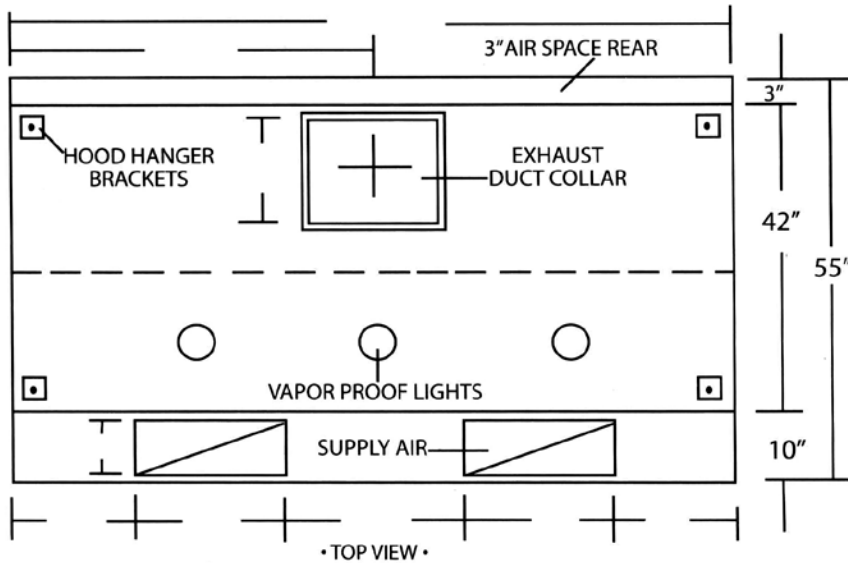


LAMBERTSON STAINLESS STEEL HOODS



STAINLESS STEEL HOOD
WITH DUAL SUPPLY AIR

STAINLESS STEEL HOOD
MODEL # NFPA-BH-42 _____
18 GAUGE
(UBC-508.2)



LAMBERTSON STAINLESS STEEL PRODUCTS ARE CERTIFIED AND MEET STANDARD #2-DO21814

1335 ALEXANDRIA COURT
SPARKS, NV 89434

LAMBERTSON INDUSTRIES, INC.
PHONE 775 · 857 · 1100
TOLL-FREE 800 · 548 · 3324
FAX 775 · 857 · 3289

WWW.LAMBERTSON.COM
SALES@LAMBERTSON.COM

