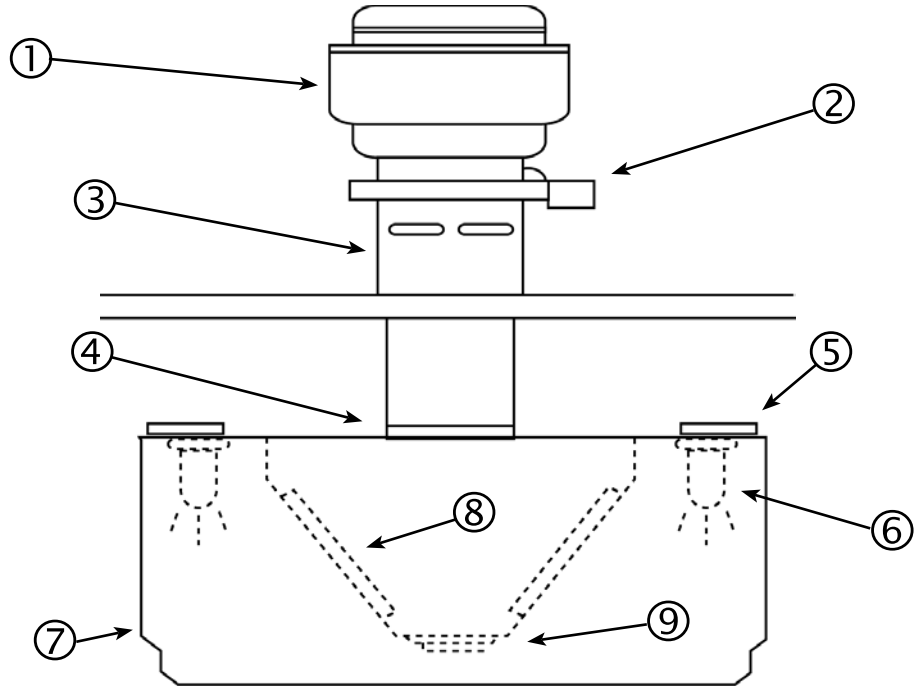




LAMBERTSON INDUSTRIES

HIGH-QUALITY STAINLESS STEEL

18-GAUGE STAINLESS STEEL V-BANK EXHAUST HOOD ORDER FORM



PAYMENT OPTIONS	<input type="checkbox"/> CREDIT CARD	<input type="checkbox"/> ACCOUNT
CC #		
CC EXP. DATE	SEC#	
APPROVED:	DATE	

DATE	ZIP CODE
CUSTOMER	
ATTENTION	
FAX	
PHONE	-EXT:
EMAIL	
CUSTOMER PO #	
CUSTOMER SERVICE REP	

Model # NFPA-VB-_____

QTY	NET PRICE	<input checked="" type="checkbox"/>	OPTIONS REQUIRED
	\$	<input type="checkbox"/>	1 - BELT DRIVE - UP-BLAST ROOF VENTILATOR. UL LISTED SPECIFICATION: LI-UB-
	\$	<input type="checkbox"/>	2 - GREASE COLLECTOR BOX: LI-CB-
	\$	<input type="checkbox"/>	3 - FIXED VENTILATION CURB: LI-FVC-
	\$	<input type="checkbox"/>	4 - 3" S/S DUCT COLLAR (WELDED IN POSITON)
	\$	<input type="checkbox"/>	5 - HOOD HANGER BRACKETS (SET OF 4)
	\$	<input type="checkbox"/>	6 - GREASE PROOF LIGHTS. UL LISTED
	\$	<input checked="" type="checkbox"/>	7 - NFPA-VB- LENGTH WIDTH
	INCLUDED	<input checked="" type="checkbox"/>	8 - 20" x 20" ALUMINUM FILTERS. UL LISTED
	INCLUDED	<input checked="" type="checkbox"/>	9 - STAINLESS STEEL GREASE CUP

PURCHASE TOTAL \$		+ FREIGHT \$		GRAND TOTAL \$	
-------------------	--	--------------	--	----------------	--

1335 ALEXANDRIA COURT
SPARKS, NV 89434

LAMBERTSON INDUSTRIES, INC.
PHONE 775 · 857 · 1100
TOLL-FREE 800 · 548 · 3324
FAX 775 · 857 · 3289

WWW.LAMBERTSON.COM
SALES@LAMBERTSON.COM

