

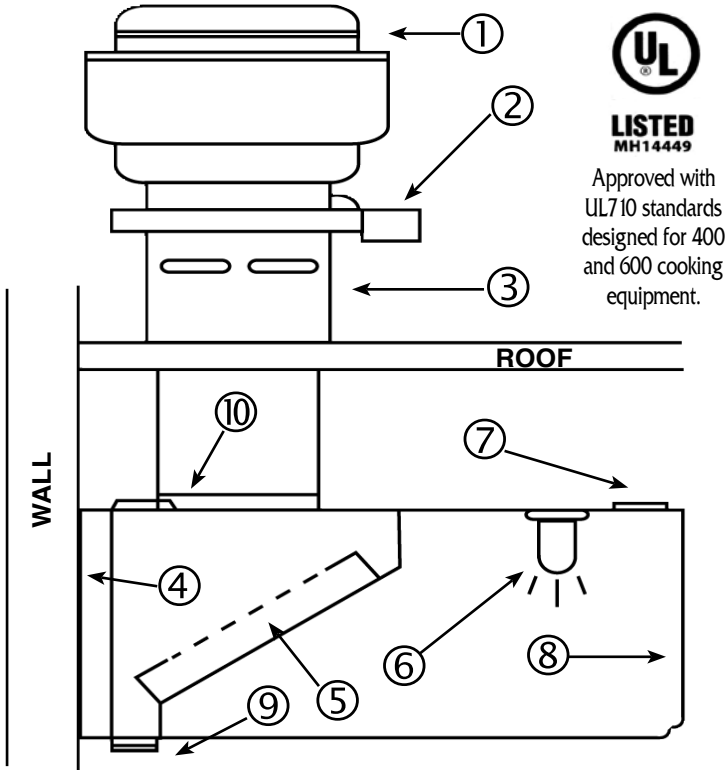


LAMBERTSON INDUSTRIES

HIGH-QUALITY STAINLESS STEEL

LAMBERTSON 18-GAUGE STAINLESS STEEL

U.L. LISTED BOX EXHAUST HOOD ORDER FORM



LISTED
MH14449

Approved with UL710 standards designed for 400 and 600 cooking equipment.

DATE	ZIP CODE
CUSTOMER	
ATTENTION	
FAX	
PHONE	—EXT:
EMAIL	
CUSTOMER PO #	
CUSTOMER SERVICE REP	
PAYMENT OPTIONS	<input type="checkbox"/> CREDIT CARD <input type="checkbox"/> ACCOUNT
CC #	
CC EXP. DATE	SEC#
APPROVED:	DATE

TYPES OF COOKING EQUIPMENT	
<input type="checkbox"/> LIGHT DUTY	OVEN - RANGE - KETTLE
<input type="checkbox"/> MEDIUM DUTY	FRYER - GRIDDLE
<input type="checkbox"/> HEAVY DUTY	CHARBROILER - ELECTRIC BROILER

Model # UL-BH-_____

QTY	NET PRICE	<input checked="" type="checkbox"/>	OPTIONS REQUIRED
	\$	<input type="checkbox"/>	1 — BELT DRIVE - UP-BLAST ROOF VENTILATOR. UL LISTED SPECIFICATION: LI-UB-
	\$	<input type="checkbox"/>	2 — GREASE COLLECTOR BOX: LI-CB-
	\$	<input type="checkbox"/>	3 — FIXED VENTILATION CURB: LI-FVC-
	\$	<input type="checkbox"/>	4 — 3" STAINLESS STEEL AIR SPACE
	INCLUDED	<input checked="" type="checkbox"/>	5 — 20" x 20" ALUMINUM FILTERS / UL LISTED
	\$	<input type="checkbox"/>	6 — GREASE PROOF LIGHTS. UL LISTED
	\$	<input type="checkbox"/>	7 — HOOD HANGER BRACKETS (SET OF 4)
	\$	<input checked="" type="checkbox"/>	8 — UL-BH- LENGTH WIDTH
	INCLUDED	<input checked="" type="checkbox"/>	9 — STAINLESS STEEL GREASE CUP
	\$	<input type="checkbox"/>	10 — 3" S/S DUCT COLLAR (WELDED IN POSITION) <input type="checkbox"/> VENTILATION

PURCHASE TOTAL \$		+ FREIGHT \$		GRAND TOTAL \$	
-------------------	--	--------------	--	----------------	--

1335 ALEXANDRIA COURT
SPARKS, NV 89434

LAMBERTSON INDUSTRIES, INC.
PHONE 775 · 857 · 1100
TOLL-FREE 800 · 548 · 3324
FAX 775 · 857 · 3289

WWW.LAMBERTSON.COM
SALES@LAMBERTSON.COM



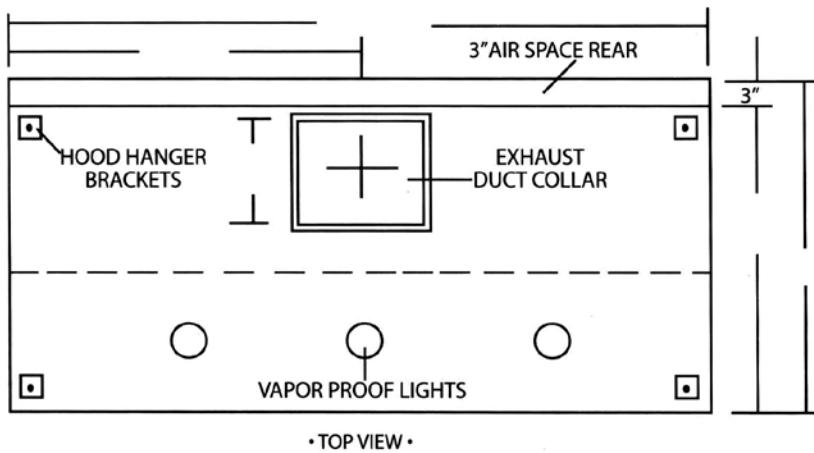
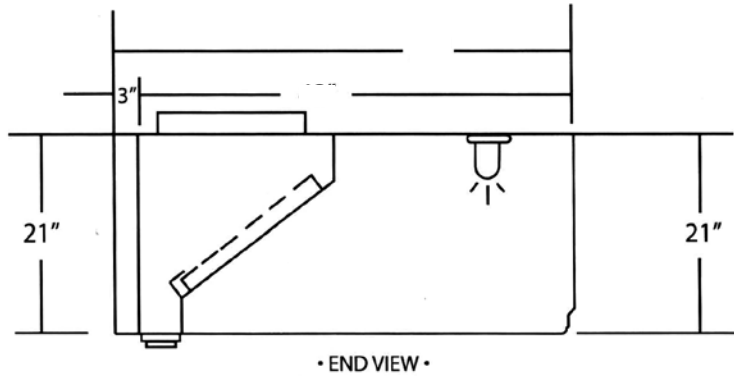


LAMBERTSON INDUSTRIES

HIGH-QUALITY STAINLESS STEEL



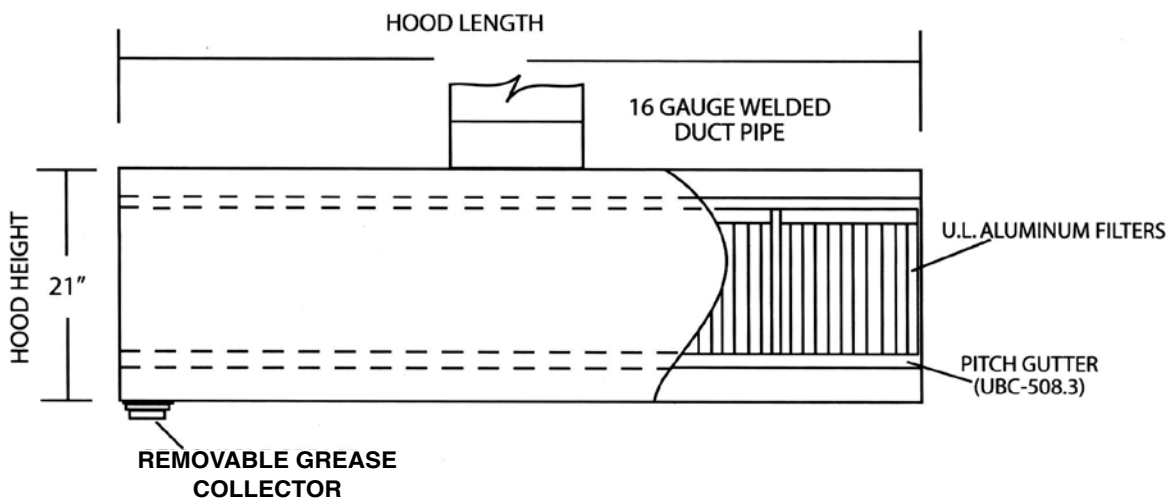
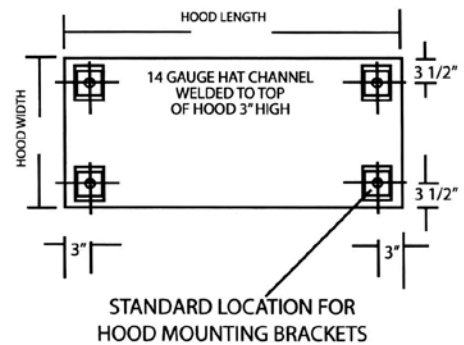
LAMBERTSON STAINLESS STEEL HOODS ARE FULLY
U.L. LISTED AND MANUFACTURED TO U.L. 710 STANDARDS



48" - 60" U.L. LISTED
STAINLESS STEEL HOOD
MODEL # UL-BH-_____
18 GAUGE
(UBC-508.2)



Approved with UL710 Standards
Designed for 400' Cooking Equipment
Approved with UL710 Standards
Designed for 600' Cooking Equipment



LAMBERTSON STAINLESS STEEL PRODUCTS ARE CERTIFIED AND MEET STANDARD #2-DO21814

1335 ALEXANDRIA COURT
SPARKS, NV 89434

LAMBERTSON INDUSTRIES, INC.
PHONE 775 · 857 · 1100
TOLL-FREE 800 · 548 · 3324
FAX 775 · 857 · 3289

WWW.LAMBERTSON.COM
SALES@LAMBERTSON.COM



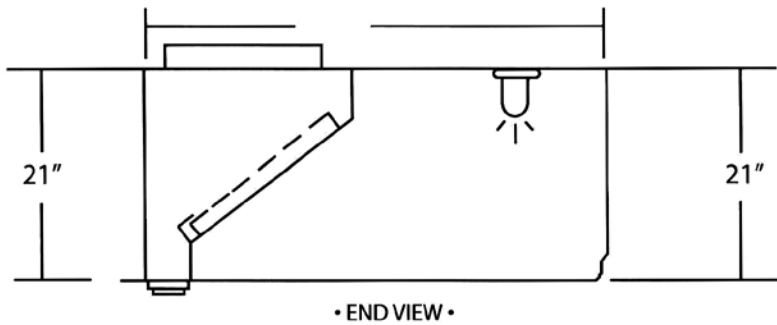


LAMBERTSON INDUSTRIES

HIGH-QUALITY STAINLESS STEEL



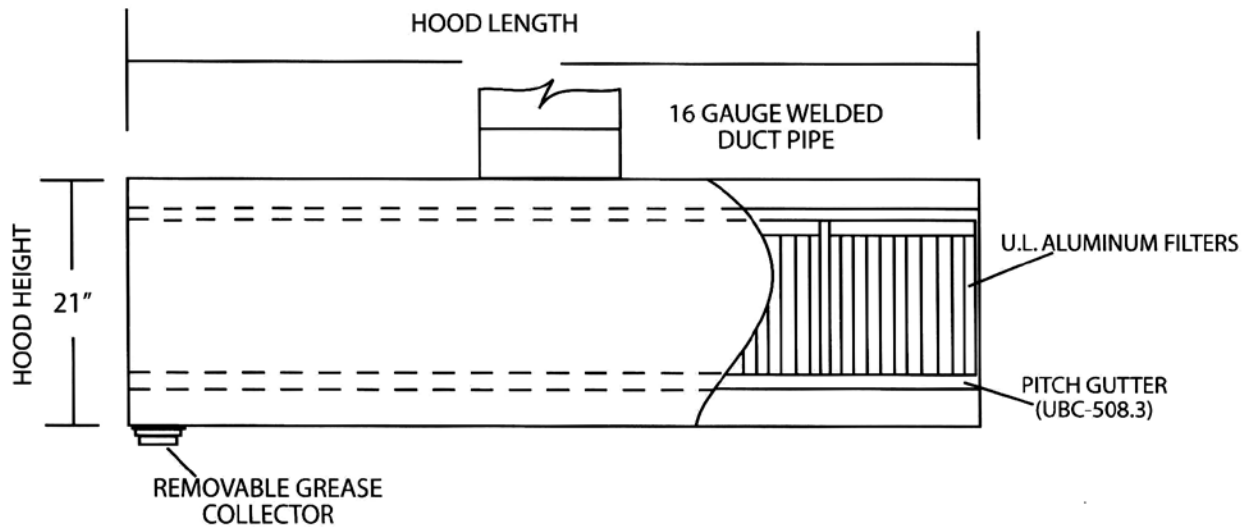
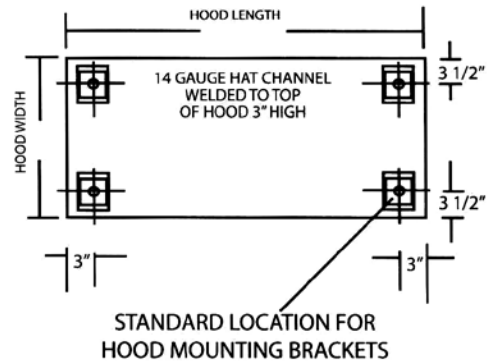
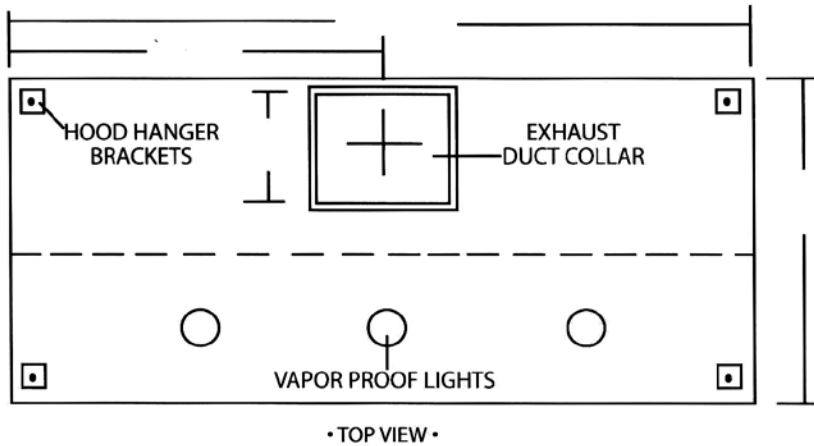
LAMBERTSON STAINLESS STEEL HOODS ARE FULLY
U.L. LISTED AND MANUFACTURED TO U.L. 710 STANDARDS



48" - 60" U.L. LISTED
STAINLESS STEEL HOOD
MODEL # UL-BH-_____
18 GAUGE
(UBC-508.2



Approved with UL710 Standards
Designed for 400' Cooking Equipment
Approved with UL710 Standards
Designed for 600' Cooking Equipment



LAMBERTSON STAINLESS STEEL PRODUCTS ARE **NSF** CERTIFIED AND MEET STANDARD #2-DO21814

1335 ALEXANDRIA COURT
SPARKS, NV 89434

LAMBERTSON INDUSTRIES, INC.
PHONE 775 · 857 · 1100
TOLL-FREE 800 · 548 · 3324
FAX 775 · 857 · 3289

WWW.LAMBERTSON.COM
SALES@LAMBERTSON.COM

